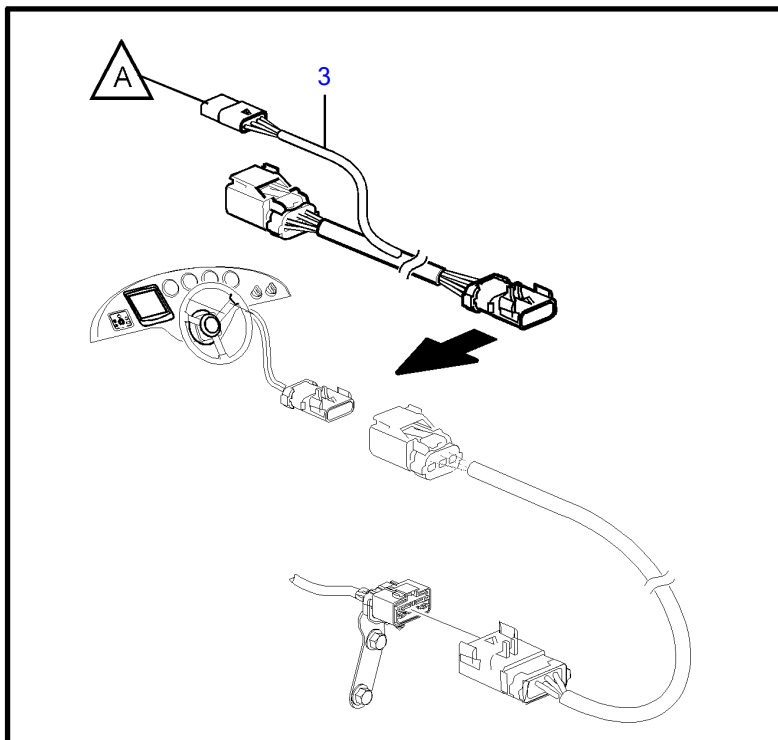
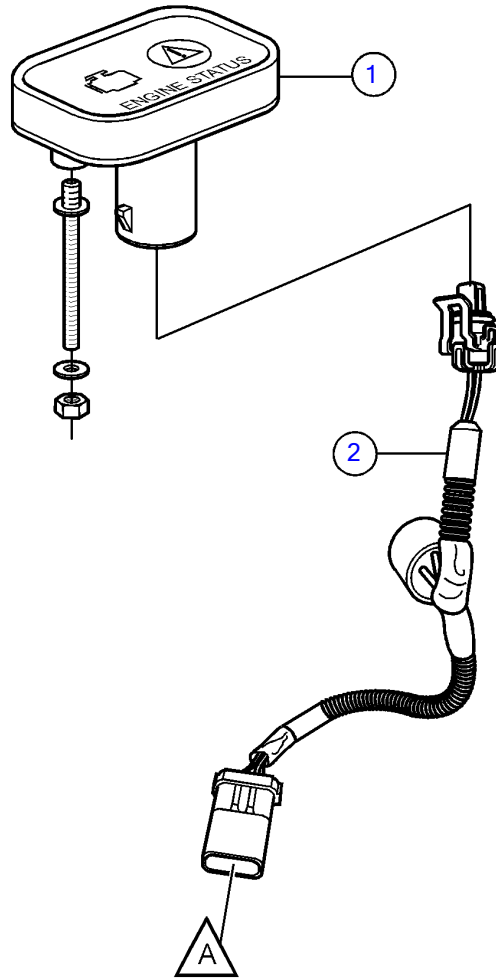
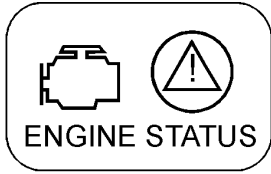


5.0GXIC-P



5.0GXIC-P

REF	PART NO.	QTY	DESCRIPTION	NOTES
1	21178775	1	Alarm panel	
		2	• Stud	not sold separately
		2	• Washer	not sold separately
		2	• Nut	not sold separately
2	21178777	1	Wiring harness	
		1	• Alarm	not sold separately
3	21200148	1	Wiring harness, y	for alarm panel