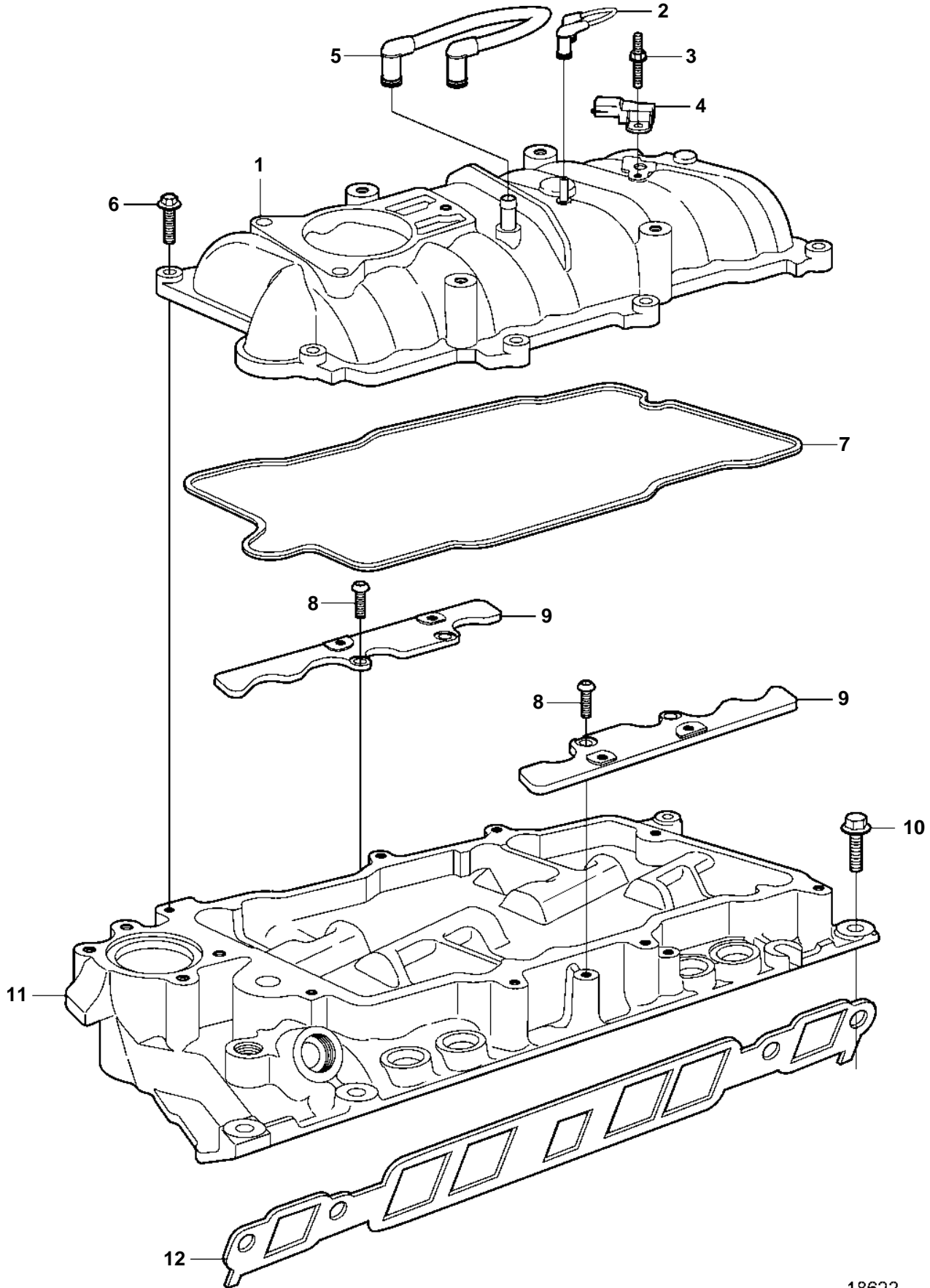


5.0GXi-G, 5.0GXi-GF, 5.0OSi-G, 5.0OSi-GF



5.0GXi-G, 5.0GXi-GF, 5.0OSi-G, 5.0OSI-GF

REF	PART NO.	QTY	DESCRIPTION	NOTES
1	3858958	1	Inlet pipe	
2	3858974	1	Hose	
3	3858973	1	Bolt	
4	3858987	1	Sensor	MAT/MAP
5	3858989	1	Hose	
6	3858961	10	Bolt	
7	3858960	1	Intake gasket	
8	3858982	4	Bolt	
9		2	Bracket	Part not sold
10	3861980	8	Screw	
11	3858959	1	Inlet pipe	
12	3857662	1	Intake gasket kit	