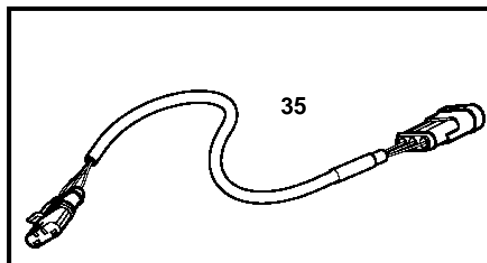
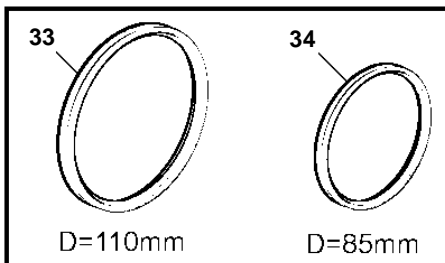
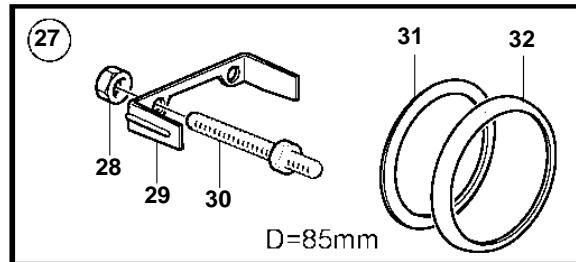
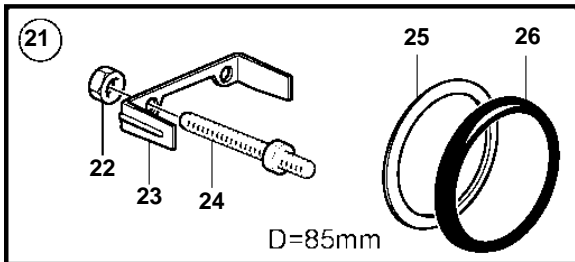
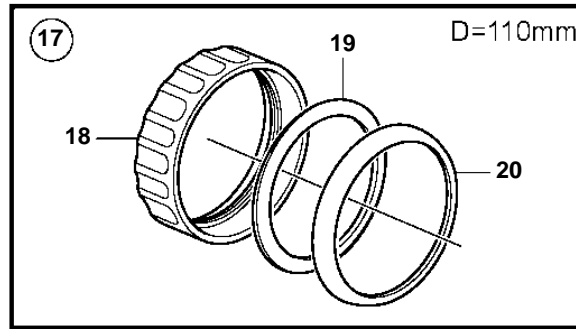
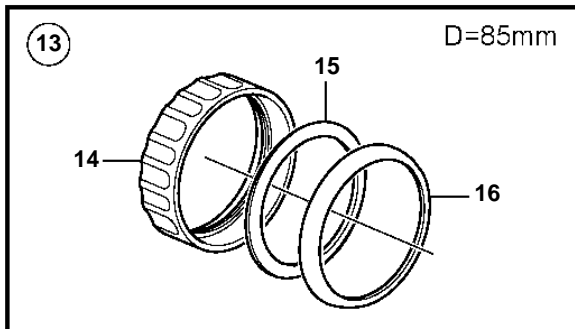
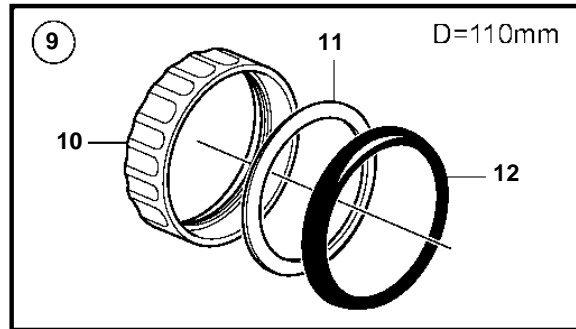
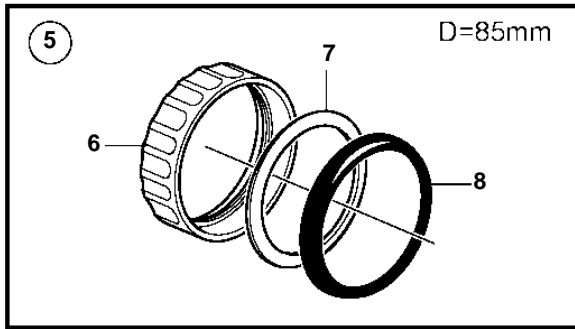
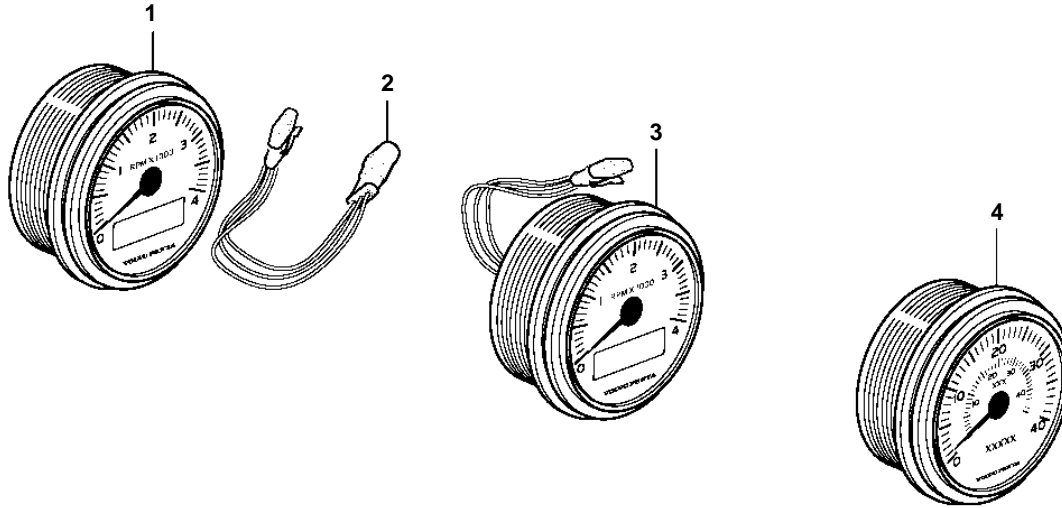


5.0GXi-G, 5.0GXi-GF, 5.0OSi-G, 5.0OSi-GF



## 5.0GXi-G, 5.0GXi-GF, 5.0OSi-G, 5.0OSi-GF

REF	PART NO.	QTY	DESCRIPTION	SEE SEC.	NOTES
1	3885696	1	Tachometer		6000 RPM, Black
	21234541	1	Tachometer		6000 RPM, Black
	3885697	1	Tachometer		6000 RPM, White
	21234537	1	Tachometer		6000 RPM, White
2	3884843	1	· Wiring harness		
3	3847841	1	Tachometer kit		6000 RPM, Black
			· Bulletin P-36-9-3	P-36-9-3-EN	New products in the EVC family
3	21234545	1	Tachometer kit		6000 RPM, Black
	3847844	1	Tachometer kit		6000 RPM, White
			· Bulletin P-36-9-3	P-36-9-3-EN	New products in the EVC family
3	21234544	1	Tachometer kit		6000 RPM, White
4	874930	1	Speedometer		White 0-40 Knots, 0-45 MPH
	874917	1	Speedometer		Black 0-40 Knots, 0-45 MPH
	881650	1	Speedometer		White 0-60 Knots, 0-70 MPH
	881645	1	Speedometer		Black 0-60 Knots, 0-70 MPH
	3807508	1	Speedometer		Black, 0-45 MPH
	3807510	1	Speedometer		Black, 0-70 MPH
		1	Speedometer		White, 0-45 MPH, part no longer sold
	3807513	1	Speedometer		White, 0-70 MPH
	3595249	1	Speedometer		Unit neutral, D=110mm, White 0-40 Knots, replaced by next part number
			· Bulletin P-36-9-3	P-36-9-3-EN	New products in the EVC family
4	21265103		Speedometer		Unit neutral, D=110mm, White 0-40 Knots
	3595253	1	Speedometer		Unit neutral, D=110mm, White 0-60 Knots, replaced by next part number
			· Bulletin P-36-9-3	P-36-9-3-EN	New products in the EVC family
4	21265105	1	Speedometer		Unit neutral, D=110mm, White 0-60 Knots
	3595246	1	Speedometer		Unit neutral, D=110mm, Black 0-40 Knots, replaced by next part number
			· Bulletin P-36-9-3	P-36-9-3-EN	New products in the EVC family
4	21265101	1	Speedometer		Unit neutral, D=110mm, Black 0-40 Knots
	3595250	1	Speedometer		Unit neutral, D=110mm, Black 0-60 Knots, replaced by next part number
			· Bulletin P-36-9-3	P-36-9-3-EN	New products in the EVC family
4	21265104	1	Speedometer		Unit neutral, D=110mm, Black 0-60 Knots
5	874708	1	Mounting kit		Black
6	874449	1	· Attaching ring		
7	874706	1	· Gasket		
8	874447	1	· Ring		
9	3847888	1	Mounting kit		Black
			· Bulletin P-36-9-3	P-36-9-3-EN	New products in the EVC family
10	3884098	1	· Attaching ring		
11	3884103	1	· Gasket		
12	3847887	1	· Ring		
13	874732	1	Mounting kit		Chrome
14	874449	1	· Attaching ring		
15	874706	1	· Gasket		
16	874730	1	· Ring		
17	3885216	1	Mounting kit		Chrome
			· Bulletin P-36-9-3	P-36-9-3-EN	New products in the EVC family
18	3884098	1	· Attaching ring		
19	3884103	1	· Gasket		
20	3884096	1	· Ring		
21	881612	1	Brace kit		Black
22	881610	2	· Nut		
23	881608	1	· Brace		
24	881609	2	· Stud		
25	874706	1	· Gasket		
26	874447	1	· Ring		
27	881614	1	Brace kit		Chrome
28	881610	2	· Nut		
29	881608	1	· Brace		
30	881609	2	· Stud		
31	874706	1	· Gasket		
32	874730	1	· Ring		
33	3886791	1	X-ring		For flush mounting.
			· Bulletin P-36-9-3	P-36-9-3-EN	New products in the EVC family

**5.0GXi-G, 5.0GXi-GF, 5.0OSi-G, 5.0OSI-GF**

REF	PART NO.	QTY	DESCRIPTION	SEE SEC.	NOTES
34	874844	1	X-ring		For flush mounting.
35	874759	1	Extension cable'verl		L=1000mm
	3807043	1	Extension cable'verl		L=3000mm