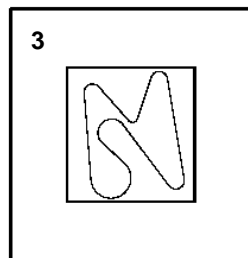
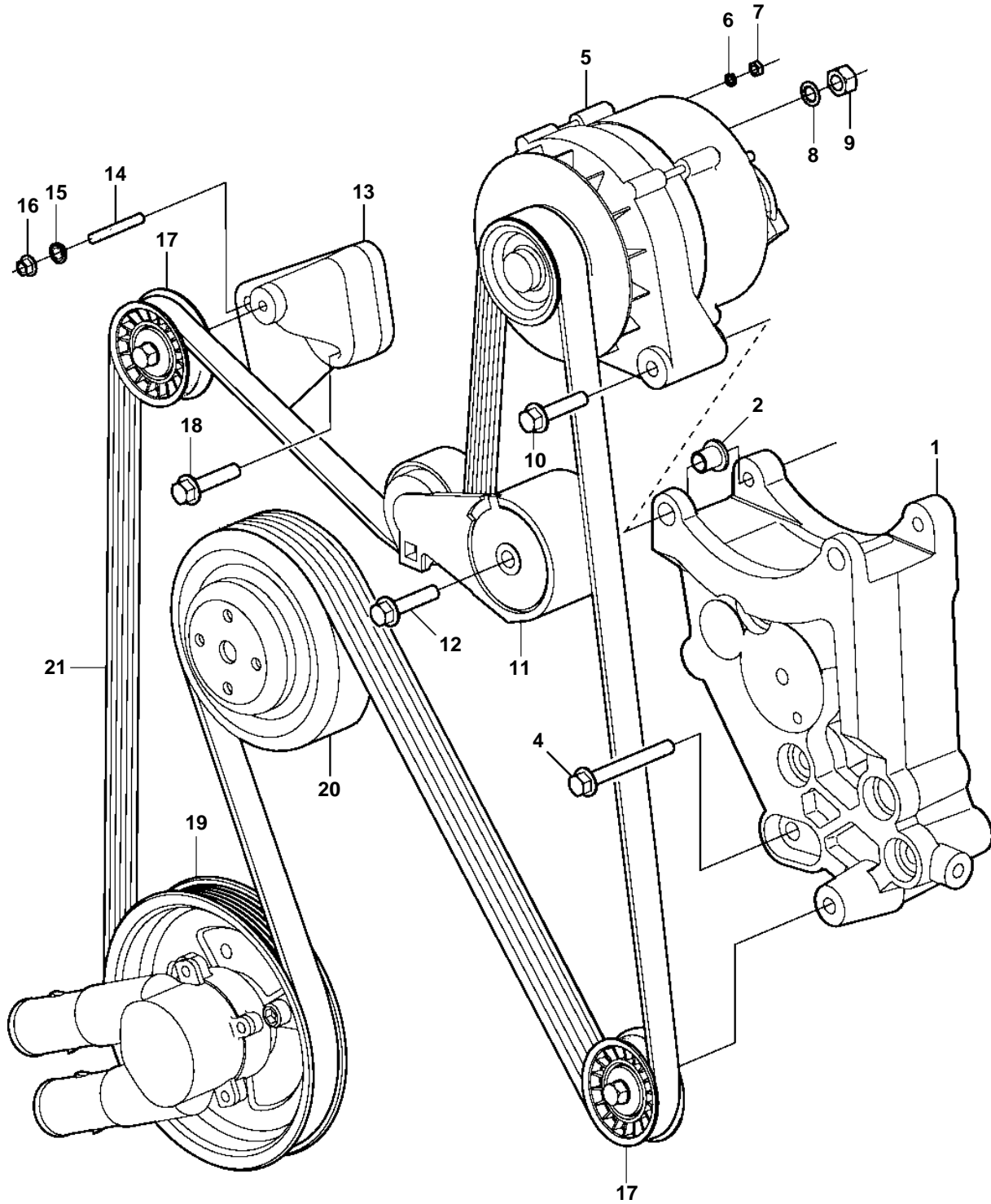


5.7GiI-A, 5.7GSiI-A, 5.7GXii-A, 5.7GXii-B



5.7GiI-A, 5.7GSil-A, 5.7GXil-A, 5.7GXil-B

REF	PART NO.	QTY	DESCRIPTION	SEE SEC.	NOTES
1	3861435	1	Bracket		
2	3863175	2	· Bushing		
3	3861668	1	Decal		
4	3853392	2	Screw		L=2.50" (64mm)
	3853367	1	Screw		L=3.25" (82mm)
5	3860082	1	Alternator		
6	3852001	3	Spring washer		
7	3852185	3	Nut		
8	3852520	1	Washer		
9	3852099	1	Nut		
10	3853367	2	Screw		
11	3860079	1	Belt tensioner		
12	3860281	1	Screw		
13	3860078	1	Bracket		
14	3860286	2	Stud		
15	3860538	2	Nut, speed		
16	3853404	2	Nut		
17	3860201	2	Idler pulley		
18	3860285	1	Screw		
19		1	Sea water pump	7478	
20		1	Pulley, circulation pump	7476	
21	3861500	1	Belt		