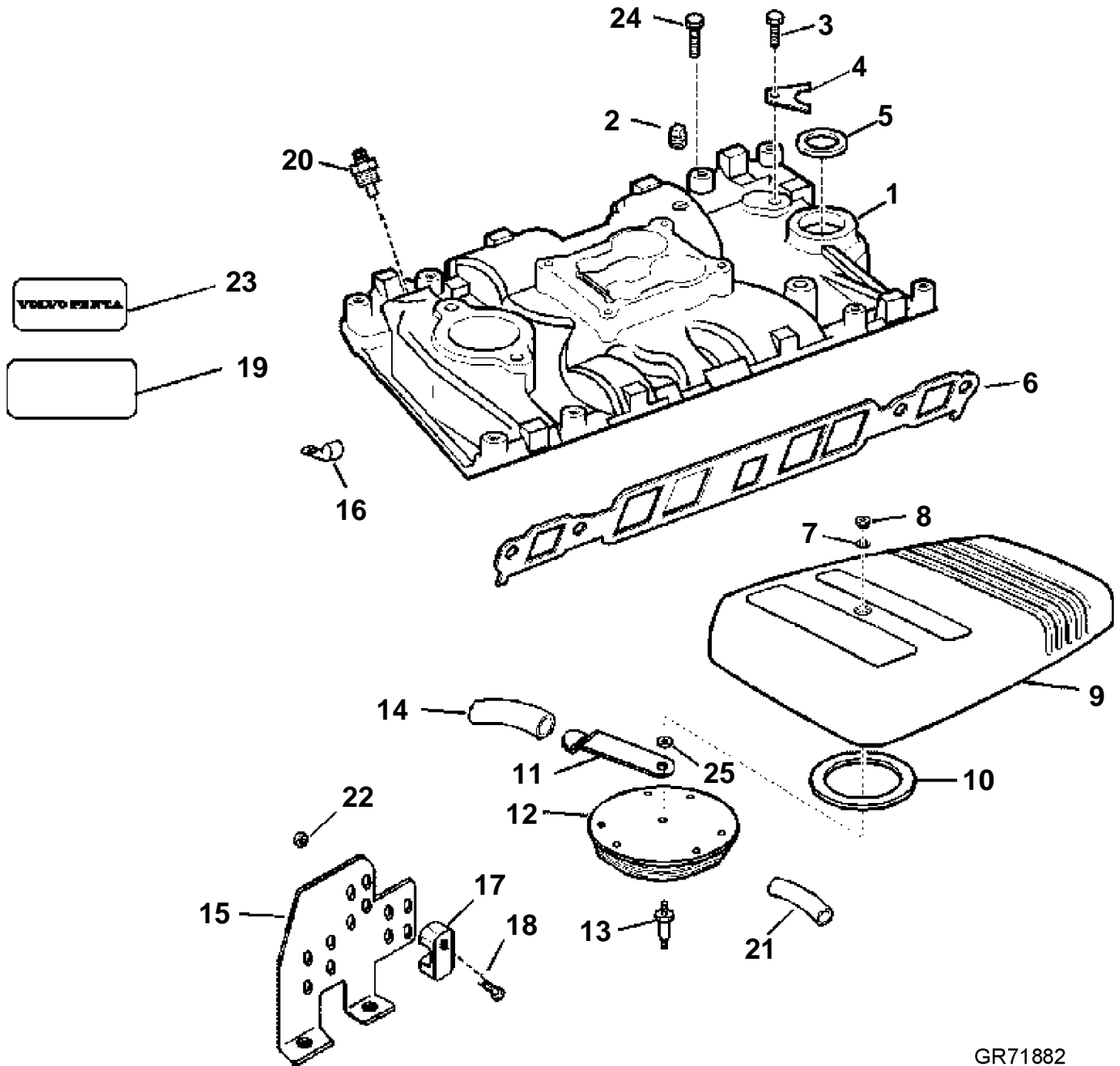


5.0GLPWTR, 5.0GIPWTR, 5.7GSIPWTR, 5.7GSPWTR



GR71882

## 5.0GLPWTR, 5.0GIPWTR, 5.7GSIPWTR, 5.7GSPWTR

REF	PART NO.	QTY	DESCRIPTION	NOTES
1	3856270	1	Exhaust manifold	
2	3852075	1	Plug, Intake manifold	
3	3853557	1	Screw, Distributor clamp	
4	3852108	1	Clamp, Distributor	
5	3852109	1	Gasket, Distributor	
6	3857662	1	Intake gasket kit, Manifold	
7	3852007	1	Washer, Nut, flame arrestor cover	
8	3852749	1	Nut, Flame arrestor cover	
9	3850510	1	Cover, Flame arrestor	
10	3850458	2	· Spacer, Cover, flame arrestor	
11	3852695	2	Connector, Hose to check valve	
12	3856913	1	Flame shield	Gi / GSi
	3856862	1	Flame shield	GL / GS
13	3850274	1	Stud, Flame arrestor	Gi / GSi
	3853560	1	Stud, Flame arrestor	GL / GS
14	3852668	1	Hose, Flame arrestor to valve cover	
15	3857411	1	Bracket, Throttle cable	
16	3852434	1	Clamp, Engine cable	
17	3850266	1	Anchor, Throttle cable	
18	3852048	1	Screw, Anchor, throttle cable to bracket	
19	3857569	1	Decal, Cover, flame arrestor	
	3857653	1	Decal, Cover, flame arrestor	
	3855282	1	Decal, Cover, flame arrestor	
	3856274	1	Decal, Cover, flame arrestor	
20	3852029	1	Sensor, Water temperature	
	872068	1	Temperature sensor, Water temperature, dual station	
21		1	Hose, PCV valve to adapter	GL / GS
	3856885	1	Hose, PCV valve to adapter	Gi / GSi
22	3852118	1	Nut, Throttle anchor	
23	3854980	1	Decal, Cover, flame arrestor	
24	3855935	8	Screw, Intake manifold	
25	3853561	1	Nut, Flame arrestor	