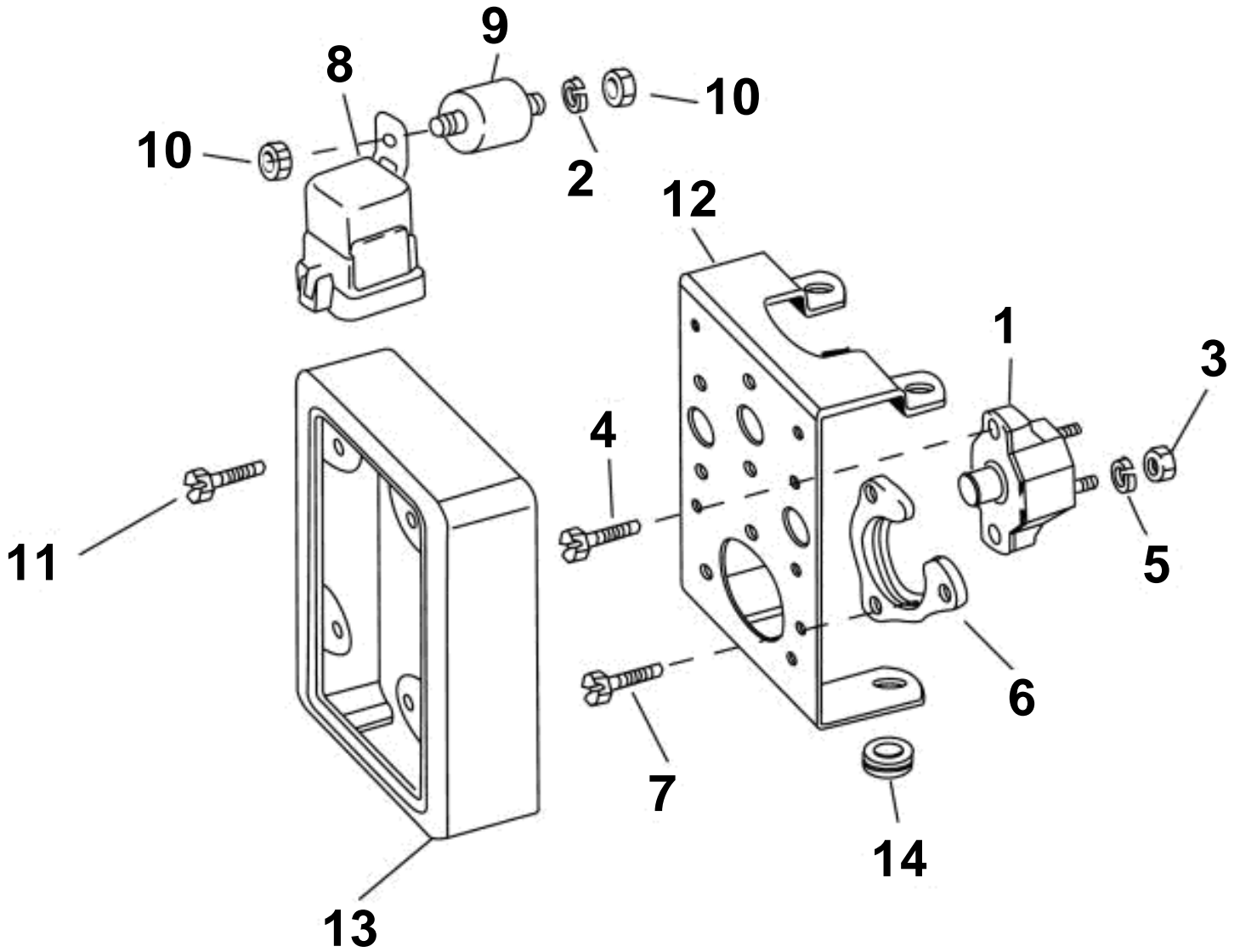


5.0GLPWTR, 5.0GIPWTR, 5.7GSIPWTR, 5.7GSPWTR



5.0GLPWTR, 5.0GIPWTR, 5.7GSIPWTR, 5.7GSPWTR

REF	PART NO.	QTY	DESCRIPTION	NOTES
1	3854186	1	Automatic fuse	60A
	3854282	2	Switch	12.5A
	3854164	1	Automatic fuse	50A
	3854163	1	Automatic fuse	20A
	3854238		Automatic fuse	6A
2	3852182	1	Washer	
3	3852064	8	Nut, Circuit breaker terminals	
4	3853620	8	Hexagon screw	
5	3852001	8	Spring washer, Circuit breaker terminals	
6	3852825	1	Retainer, Engine cable	
7	3852208	3	Screw, Retainer, engine cable end to bracket	
8	3854138	1	Relay, Starter motor	
9	3850234	1	Rubber cushion, Relay mounting	
10	3852118	1	Nut, Relay to isolator	
11	3855938	4	Screw, Circuit breaker and engine cable	
12	3856186	1	Bracket	
13	3856764	1	Cover, Circuit breaker bracket	
14	941263	4	Grommet	