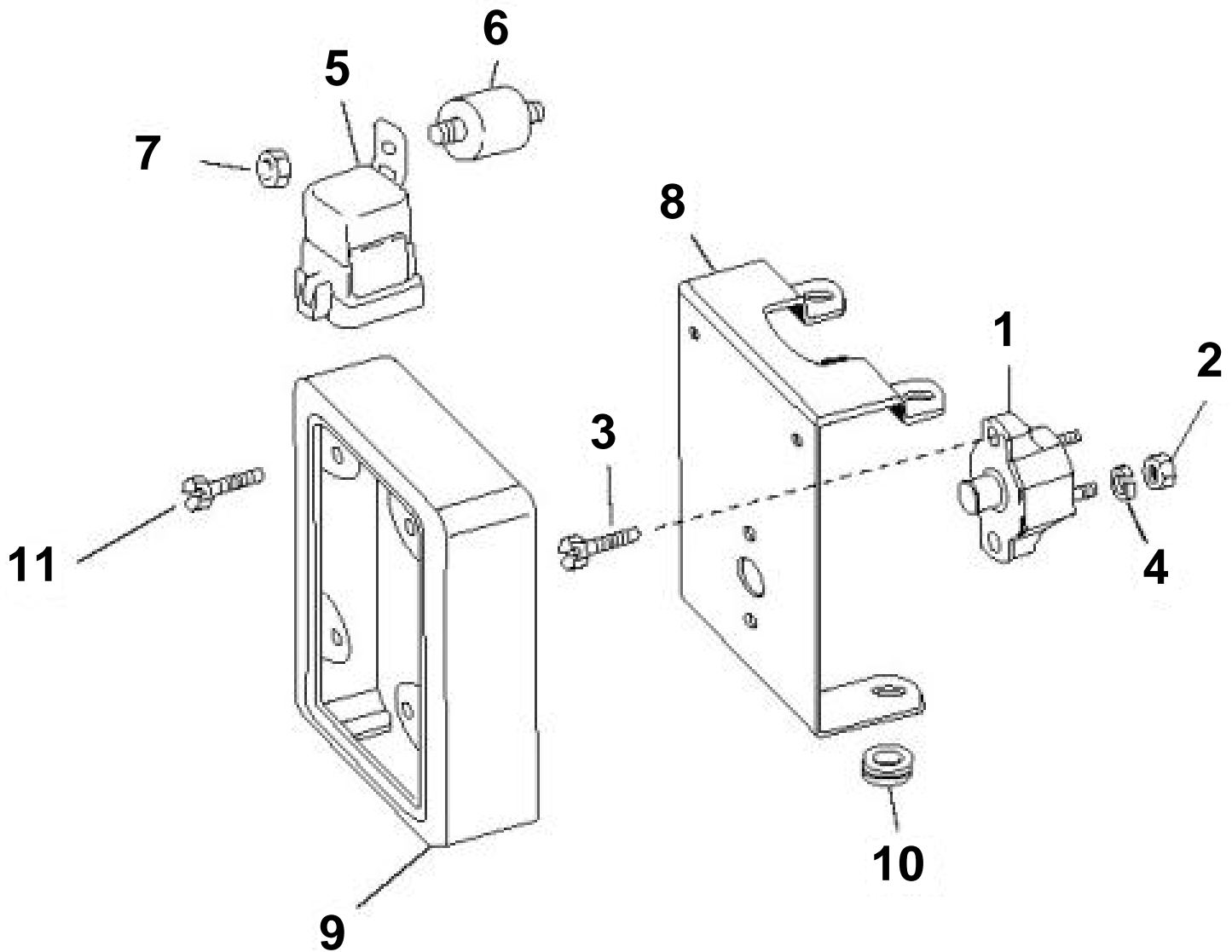


5.0GLPEFS, 5.0GIPEFS, 5.7GSPEFS, 5.7GSIPEFS



**5.0GLPEFS, 5.0GIPEFS, 5.7GSPEFS, 5.7GSIPEFS**

| REF | PART NO. | QTY | DESCRIPTION                                   | NOTES                |
|-----|----------|-----|---|----------------------|
| 1   | 3854164  | 1   | Automatic fuse, 50A                           | Main pump; trim pump |
| 2   | 3852064  | 2   | Nut, Circuit breaker terminals                |                      |
| 3   | 3853620  | 2   | Hexagon screw, Circuit breaker to bracket     |                      |
| 4   | 3852001  | 2   | Spring washer, Circuit breaker terminals      |                      |
| 5   | 3854138  | 1   | Relay, Starter motor                          |                      |
| 6   | 3850234  | 1   | Rubber cushion, Relay mounting                |                      |
| 7   | 3852118  | 1   | Nut, Relay to isolator                        |                      |
| 8   | 3860368  | 1   | Bracket, Circuit breaker & engine cable       |                      |
| 9   | 3860369  | 1   | Cover, Circuit breaker bracket                |                      |
| 10  | 941263   | 2   | Grommet, Circuit breaker bracket              |                      |
| 11  | 3860524  | 4   | Locking pin, Circuit breaker cover to bracket |                      |