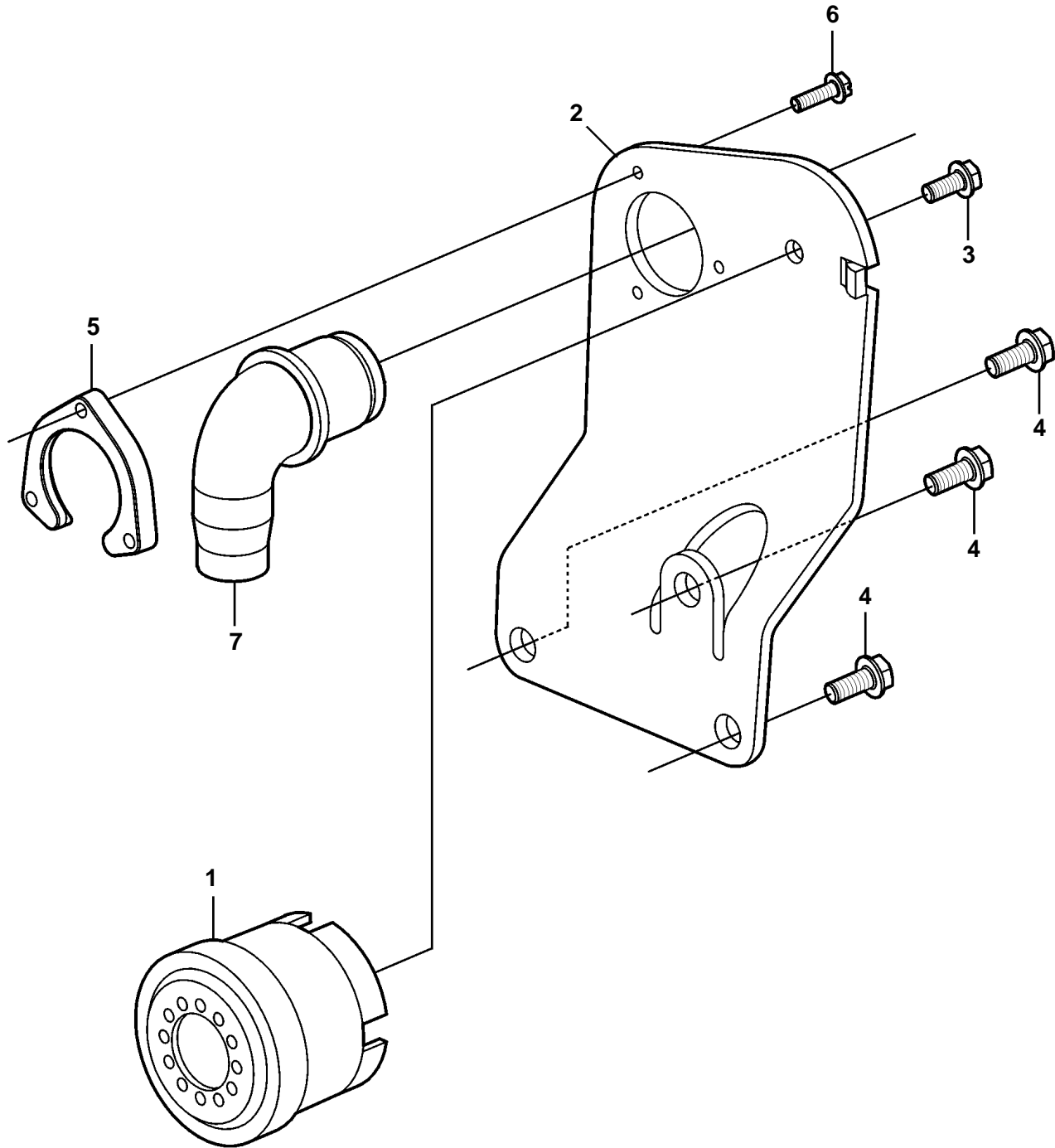


5.0GLPEFS, 5.0GIPEFS, 5.7GSPEFS, 5.7GSIPEFS



5.0GLPEFS, 5.0GIPEFS, 5.7GSPEFS, 5.7GSIPEFS

REF	PART NO.	QTY	DESCRIPTION	NOTES
1	3860264	1	Horn	
2	3860164	1	Bracket, Alarm & 10 pin	
3	965175	1	Flange screw, Alarm to bracket	Not shown
4	3853557	3	Screw, Alarm bracket to head	
5	3852825	1	Retainer, For 10 pin	
6	3852208	3	Screw, Retainer, engine cable end to bracket	
7	3860040	1	Wiring harness	