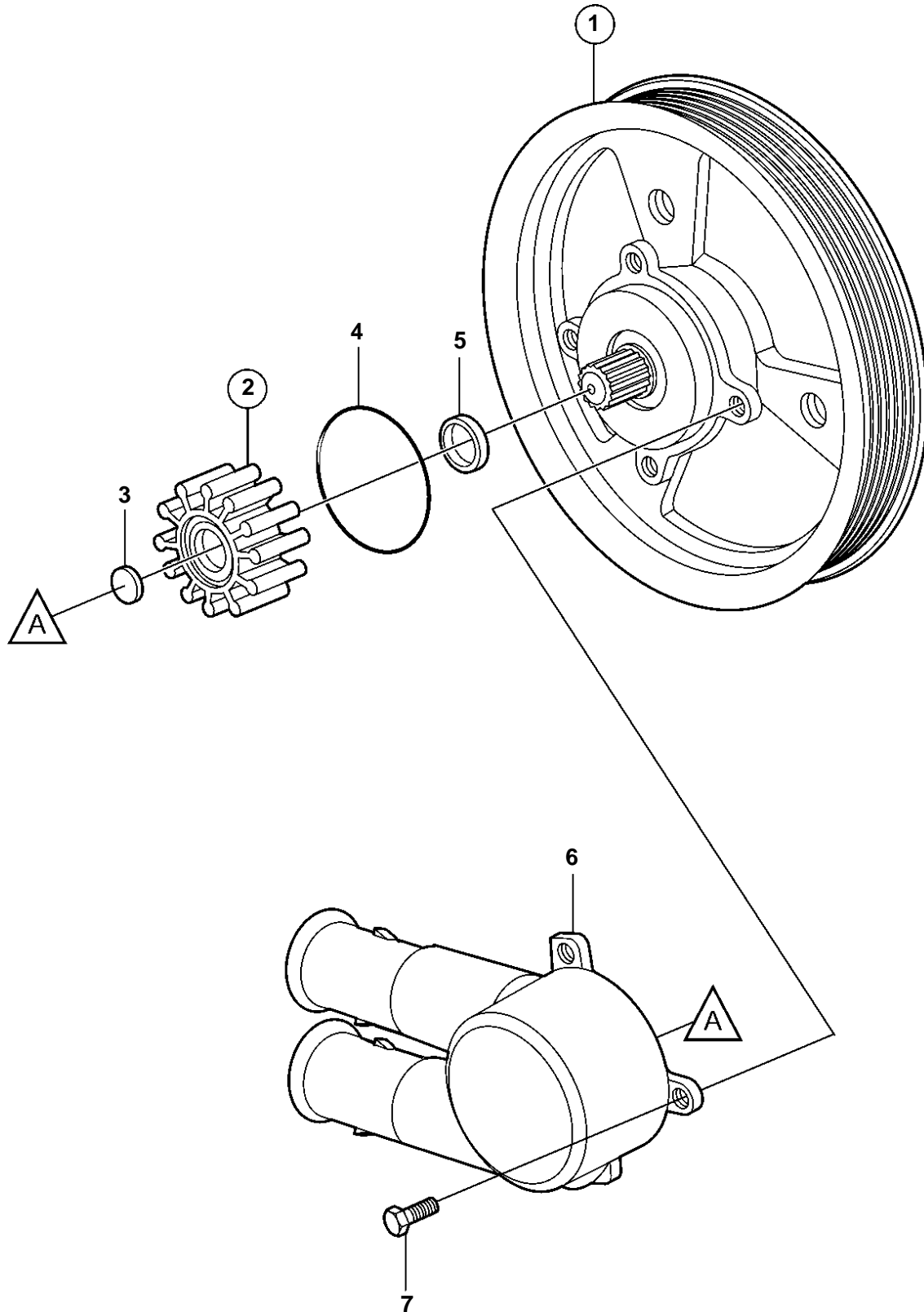


5.0GIPEFS, 5.7GSIPEFS



5.0GIPEFS, 5.7GSIPEFS

REF	PART NO.	QTY	DESCRIPTION	SEE SEC.	NOTES
1	3857202	1	Sea water pump		
2	3862567	1	· Kit		
			· Bulletin P-26-6-2	P-26-6-2-EN	Impeller kits, Gas, to 2005
3	827019	1	· · Washer		
4	3858938	1	· · O-ring		
5	827247	1	· Sealing ring		
6	3858115	1	· Housing		
7	841693	4	· Screw		