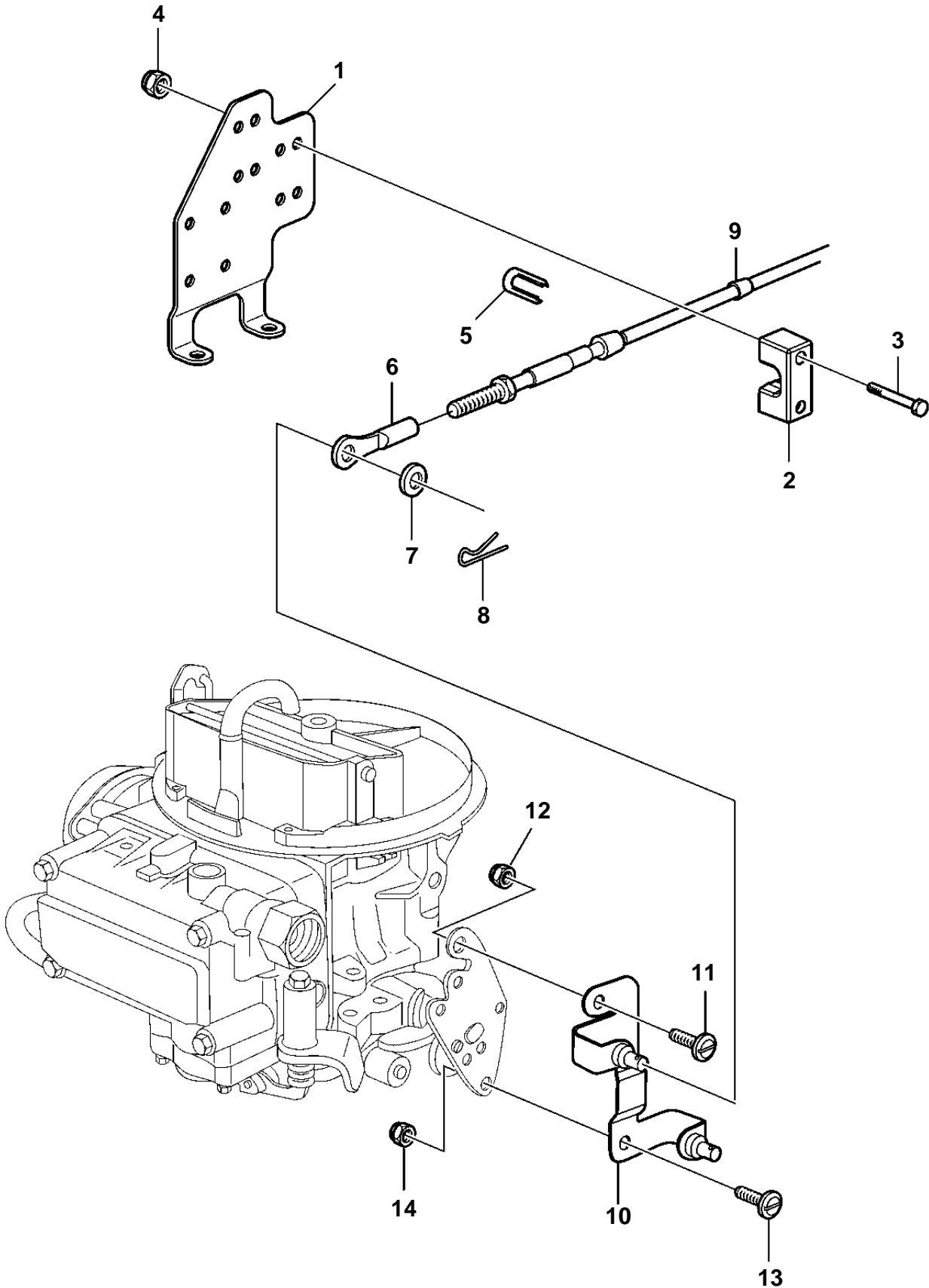


5.0GL-J, 5.0GL-JF



5.0GL-J, 5.0GL-JF

| REF | PART NO. | QTY | DESCRIPTION |
|-----|----------|-----|--------------------|
| 1 | 3860811 | 1 | Bracket |
| 2 | 3850266 | 1 | Anchor |
| 3 | | 1 | Screw |
| 4 | 3852118 | 1 | Nut |
| 5 | 3852019 | 1 | Retainer |
| 6 | 3850941 | 1 | Adapter |
| 7 | 3852193 | 1 | Washer |
| 8 | 3852052 | 1 | Split pin |
| 9 | | X | Cable |
| 10 | | 1 | Intermediate lever |
| 11 | | 1 | Screw |
| 12 | 3852118 | 1 | Nut |
| 13 | | 1 | Screw |
| 14 | 3852118 | 1 | Nut |