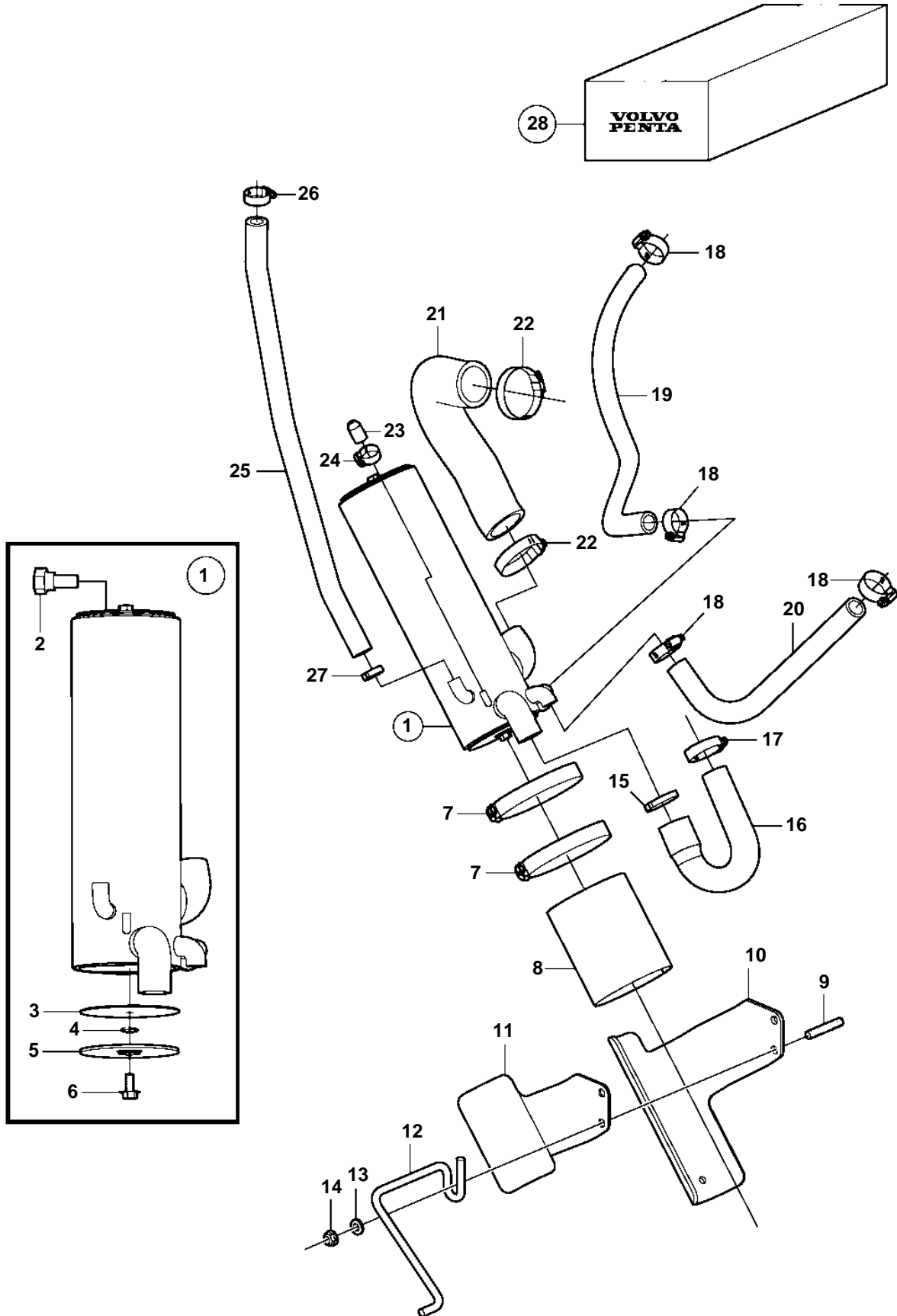


5.0GL-JF



## 5.0GL-JF

REF	PART NO.	QTY	DESCRIPTION	SEE SEC.	NOTES
1	3861471	1	Heat exchanger		
2	3858995	1	· Anode		
3	3858993	2	· Gasket		
4	983191	2	· O-ring		
5	3858992	2	· Cover		
6	3858994	2	· Screw		
7	3863443	2	Hose clamp, screw		
8	3861453	1	Gasket		
9	941814	2	Stud		
10	3595468	1	Bracket		
11	3595466	1	Bracket		
12	3817688	1	Bracket		
13	980933	1	Washer		
14	3857181	2	Flange lock nut		
15	982717	1	Clamp		
16	3817818	1	Hose		
17	3863440	1	Hose clamp		
18	3812303	4	Hose clamp		
19	3860588	1	Hose		Starboard exhaust manifold
20	3594640	1	Hose		Port exhaust manifold
21	3861472	1	Hose		
22	3863438	2	Hose clamp		
23	3852082	1	Cardboard tube		
24	3860413	1	Hose clamp		
25	3861485	1	Hose		Expansion tank
26	3812303	1	Hose clamp		
27	982967	1	Clamp		
28	40005807	1	Fresh water cooling · Bulletin P-26-1-3	P-26-1-3-EN	Freshwater Cooling, 4.3/5.0/5.7L