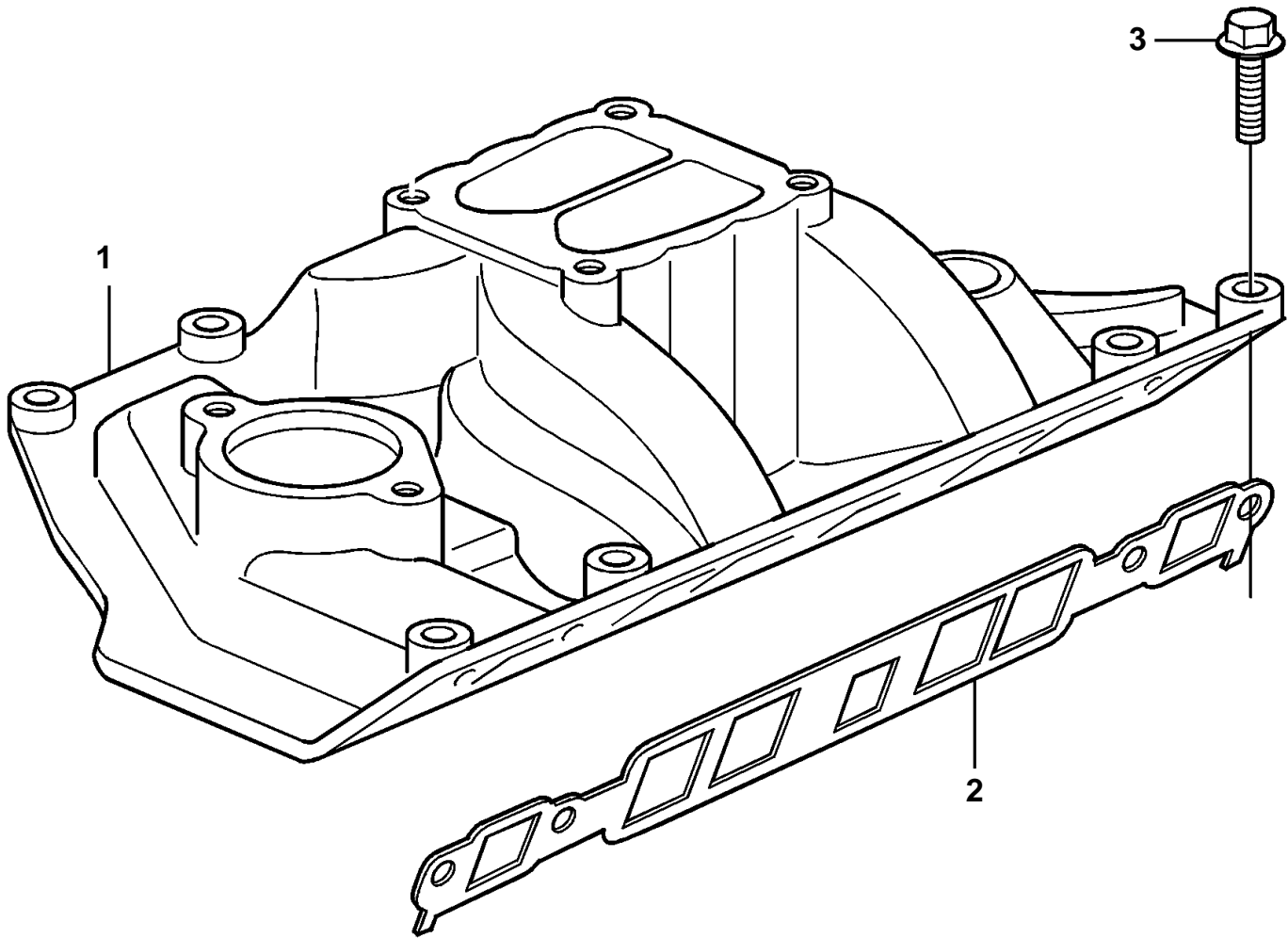


5.0GL-H, 5.0GL-HF



23797

5.0GL-H, 5.0GL-HF

REF	PART NO.	QTY	DESCRIPTION
1	3856270	1	Manifold
2	3857662	1	Inlet gasket kit
3	3855935	8	Screw