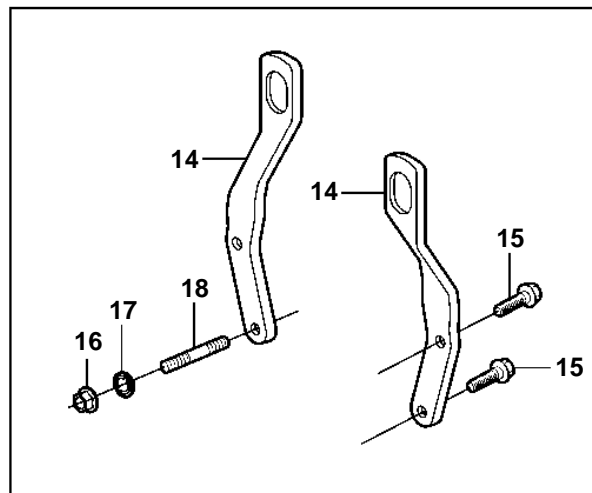
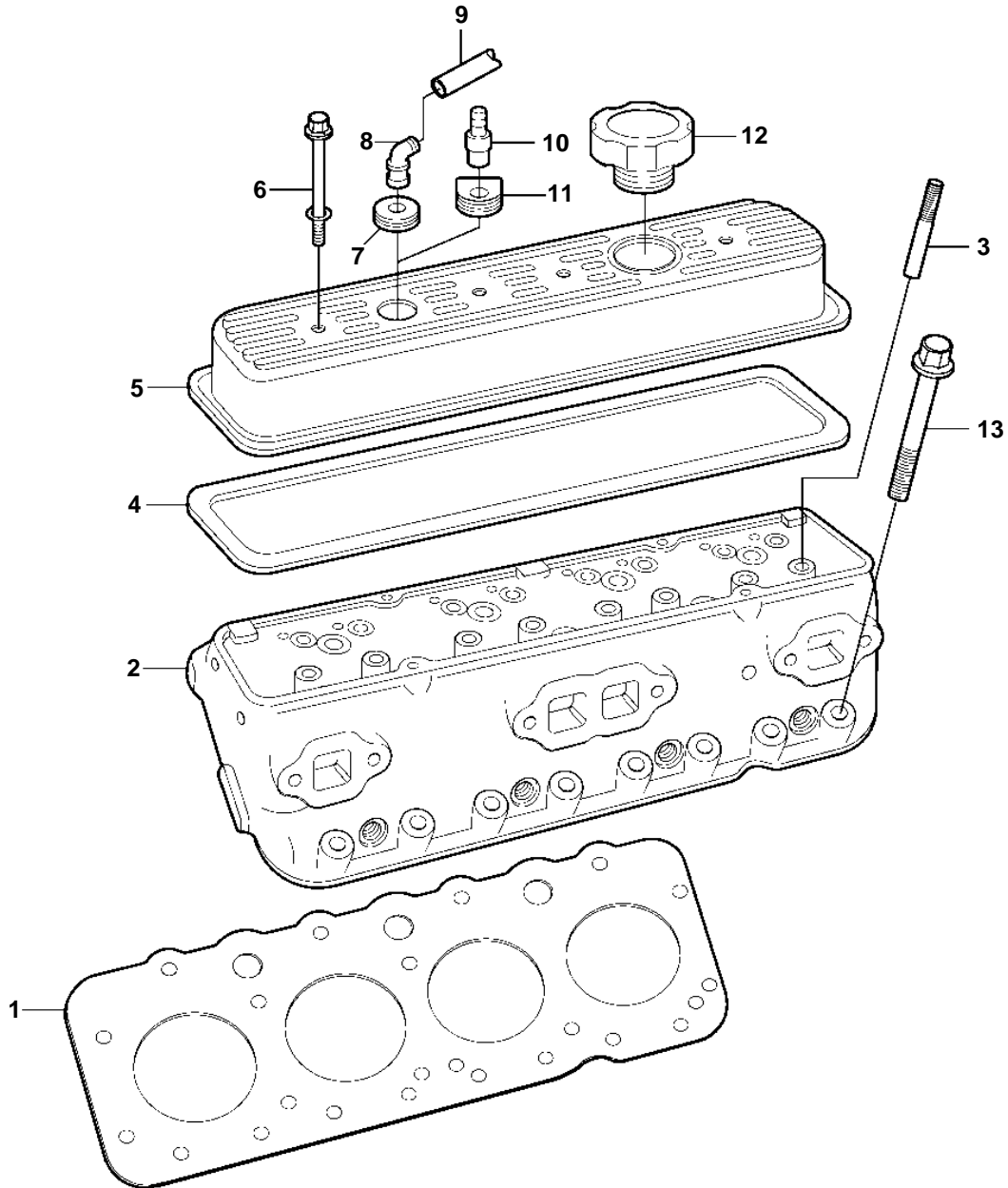


5.0GL-H, 5.0GL-HF



19876

5.0GL-H, 5.0GL-HF

| REF | PART NO. | QTY | DESCRIPTION     | NOTES                 |
|-----|----------|-----|-----------------|-----------------------|
| 1   | 3853380  | 2   | Cyl.head.gasket |                       |
| 2   | 3857663  | 2   | Cylinder head   |                       |
| 3   |          | 16  | • Stud          | Not serviced          |
|     | 3853146  | 1   | Stud            | O.S=.003" (0.076mm)   |
|     | 3853147  | 1   | Stud            | O.S=.013" (0.330mm)   |
| 4   | 3852687  | 2   | Gasket          |                       |
| 5   | 3856928  | 1   | Valve cover     | Starboard             |
|     | 3856927  | 1   | Valve cover     | Port                  |
| 6   | 3856135  | 8   | Screw           |                       |
| 7   | 3852103  | 1   | Grommet         |                       |
| 8   | 3852104  | 1   | Elbow           |                       |
| 9   | 3852435  | 1   | Hose            |                       |
| 10  | 3856215  | 1   | Valve           | Crankcase ventilation |
| 11  | 3862296  | 1   | Grommet         |                       |
| 12  | 3854008  | 1   | Oil filler cap  |                       |
| 13  | 3856122  | 14  | Screw           | L=3 51/64" (96mm)     |
|     | 3856123  | 4   | Screw           | L=3 1/16" (78mm)      |
|     | 3856124  | 16  | Screw           | L=1.62" (41mm)        |
| 14  | 3862594  | 2   | Bracket         |                       |
| 15  | 3853557  | 2   | Screw           |                       |
| 16  | 3853404  | 2   | Lock nut        |                       |
| 17  | 3860538  | 2   | Nut, speed      |                       |
| 18  | 3860286  | 2   | Stud            |                       |