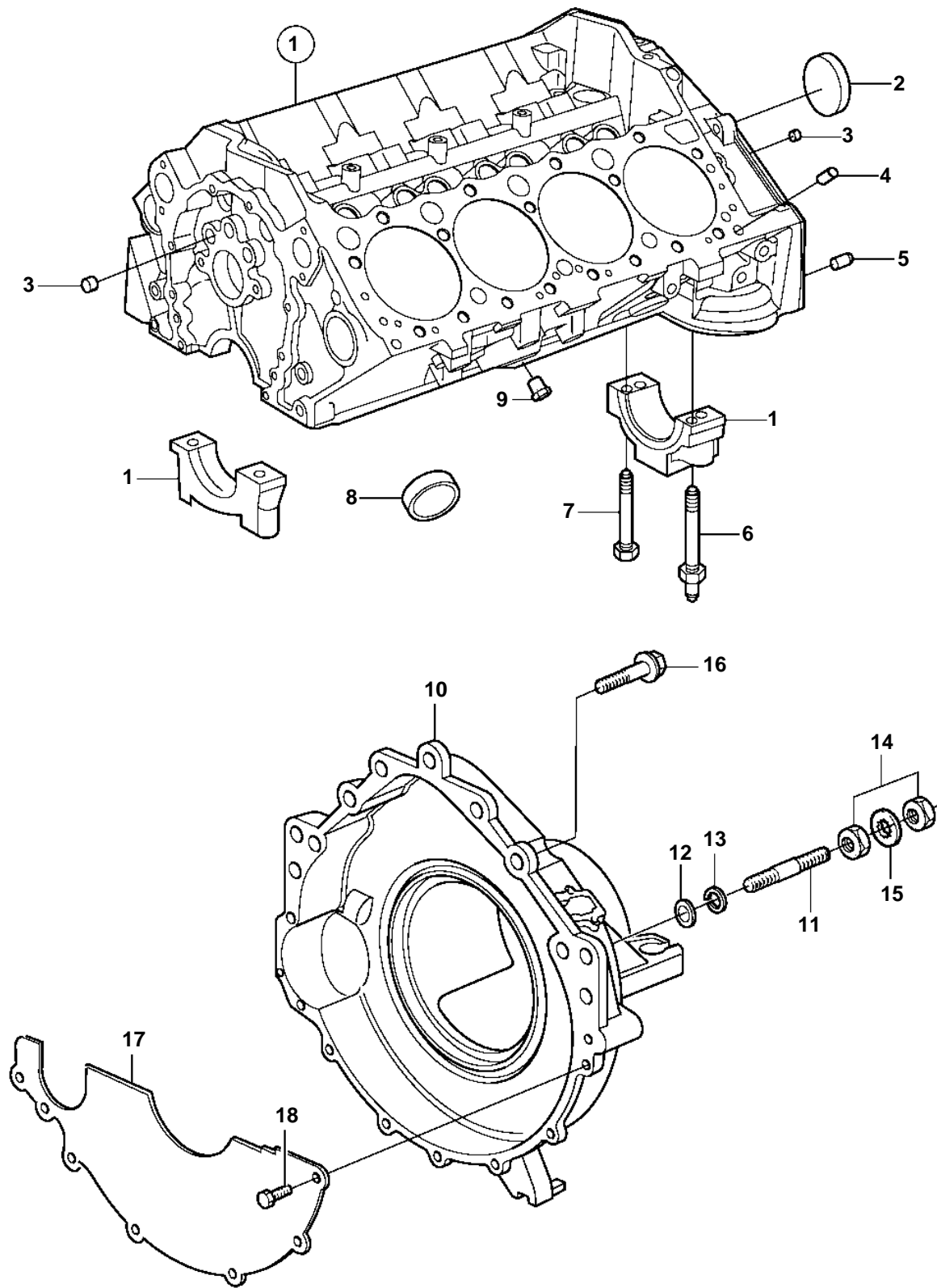


5.0GL-HF



5.0GL-HF

REF	PART NO.	QTY	DESCRIPTION	NOTES
1		1	Cylinder block	See longblock in Repair Kits section
2	3853209	1	• Core plug	
3	952075	X	• Plug	
4	3853114	4	• Locating pin, cylinder head	
5	3856001	2	• Pin, flywheel housing	
6	3862354	6	• Stud	
7	3862355	10	• Screw	
8	3852100	8	Core plug	
9	3850802	2	Plug	
10	3808573	1	Flywheel housing	
11	3850571	2	Stud	
12	980933	2	Washer	
13	3852002	2	Lock washer	
14	3852065	4	Nut	
15	3852070	4	Washer	
16	3853392	2	Screw	L=2.50" (64mm)
	3860582	3	Screw	L=1.25" (32mm)
17	3854604	1	Cover	
18	3852421	4	Screw	