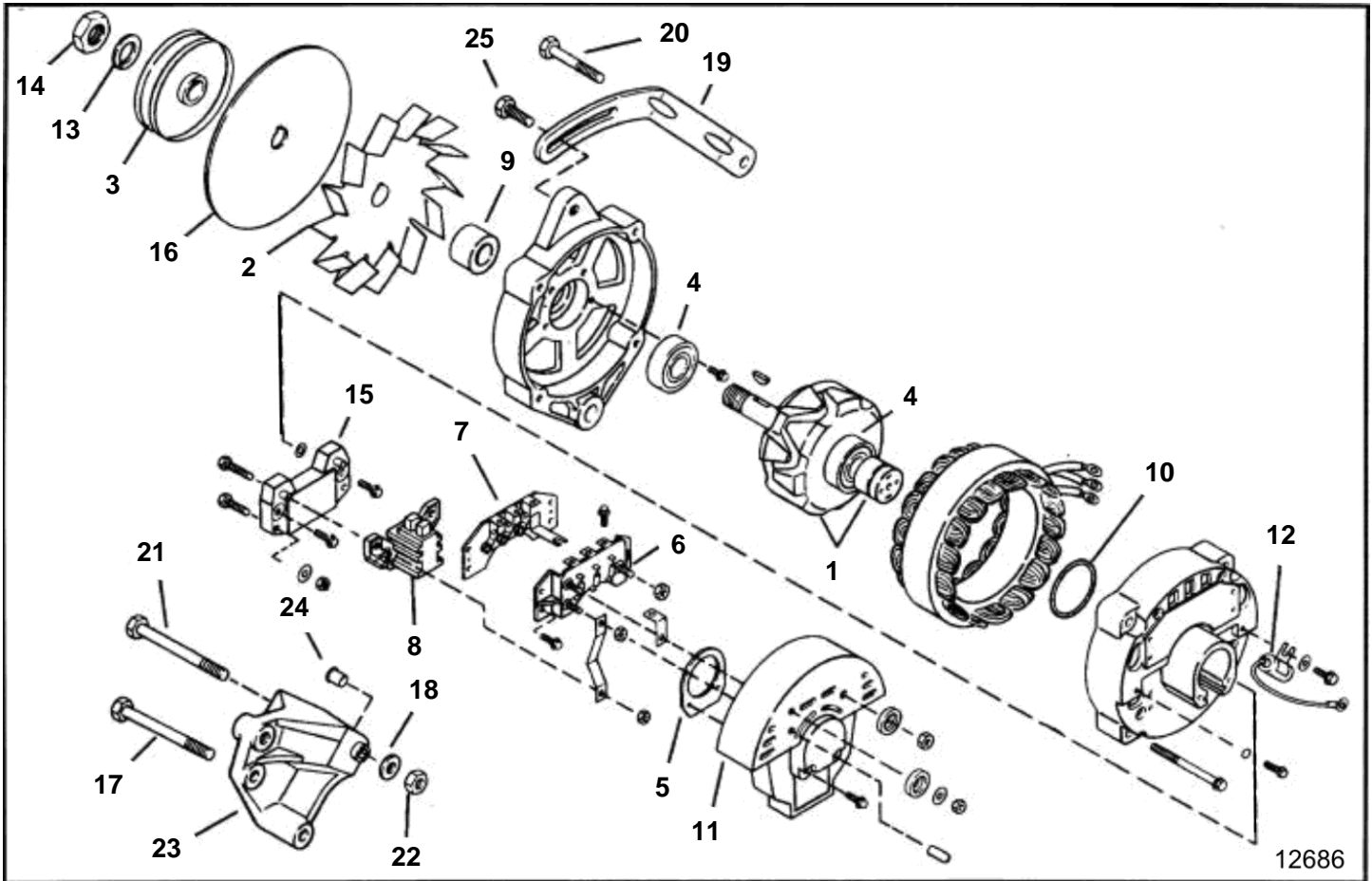


5.0FLPNCA, 5.0FLPNCB, 5.0FLPNCM, 5.0FLPNCS



5.0FLPNCA, 5.0FLPNCB, 5.0FLPNCM, 5.0FLPNCS

REF	PART NO.	QTY	DESCRIPTION	NOTES
1	3853853	1	Alternator	Un-numbered parts serviced at assembly level only
		1	· Rotor	
2	3852645	1	· Fan	
3	3852644	1	· Pulley	
4	3852643	2	· Bearing, Front & rear	
5	3852642	1	· Bearing carrier, Rear bearing	
6		1	· Diode	
7		1	· Diode bridge	
8	3853835	1	· Brush retainer	
9	3852639	1	· Spacer, Fan	
10	3852637	1	· Gasket	
11	3853834	1	· Cover	
12	3852636	1	· Capacitor	
13	3852625	1	· Lock washer	
14	3852630	1	· Nut	
15	3853833	1	· Governor, Voltage	
16	3853881	1	· Cover plate	
17	3853395	2	Screw, Alternator bracket to engine	
18	3852058	1	Washer, Alternator to bracket	Rear
19	3852703	1	Brace, Alternator	
20	3853557	1	Screw, Brace to water pump	
21	3853367	1	Screw, Alternator to bracket	Power steering
22	3852051	1	Nut, Alternator to bracket	
23	3854183	1	Bracket, Alternator to water pump	
24	3852740	1	· Bushing, Alternator	
25	3853399	1	Screw, Brace to alternator	