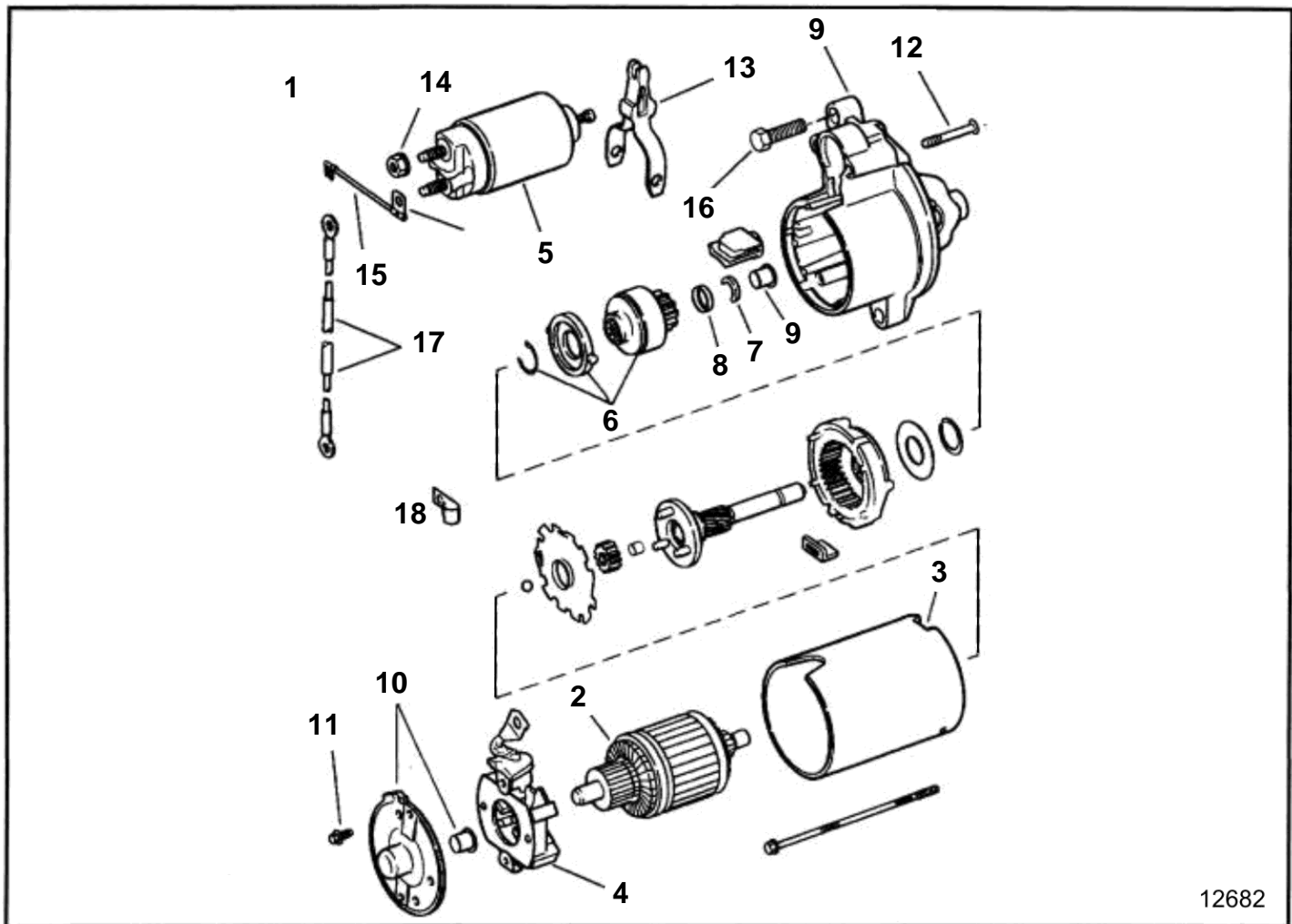


5.0FIPHUBCE, 5.0FIPHUCCE, 5.0FIPHUECE, 5.0FIPHURCE, 5.0FIPHUSCE, 5.0FLPHUB, 5.0FLPHUC, 5.0FLPHUE, 5.0FLPHUR,
5.0FLPHUS, 5.8FIIHUBCE, 5.8FIIHUECE, 5.8FIPHUBCE, 5.8FIPHUCCE, 5.8FIPHUECE, 5.8FIPHURCE, 5.8FIPHUSCE,
5.8FLIHUB, 5.8FLIHUE, 5.8FLPHUB, 5.8FLPHUC, 5.8FLPHUE, 5.8FLPHUR, 5.8FLPHUS, 5.8FSIPHUBCE, 5.8FSIPHUCCE,
5.8FSIPHUECE, 5.8FSIPHURCE, 5.8FSIPHUSCE



12682

5.0FIPHUBCE, 5.0FIPHUCCE, 5.0FIPHUECE, 5.0FIPHURCE, 5.0FIPHUSCE, 5.0FLPHUB, 5.0FLPHUC, 5.0FLPHUE, 5.0FLPHUR, 5.0FLPHUS, 5.8FIIHUBCE, 5.8FIIHUECE, 5.8FIPHUBCE, 5.8FIPHUCCE, 5.8FIPHUECE, 5.8FIPHURCE, 5.8FIPHUSCE, 5.8FLIHUB, 5.8FLIHUE, 5.8FLPHUB, 5.8FLPHUC, 5.8FLPHUE, 5.8FLPHUR, 5.8FLPHUS, 5.8FSIPHUBCE, 5.8FSIPHUCCE, 5.8FSIPHUECE, 5.8FSIPHURCE, 5.8FSIPHUSCE

REF	PART NO.	QTY	DESCRIPTION	NOTES
1	3854190	1	Starter motor	Not shown
2		1	· Rotor	
3	3854200	1	· Housing	
4		1	· Carbon brush retaine	
5	3854194	1	· Solenoid	
6		1	· Starter pinion	
7		1	· · Retainer, drive stop ring	not sold separately
8		1	· · Ring, drive stop	not sold separately
9		1	· Housing, bearing, drive end	
		1	· · Bearing, drive end	Not shown
10		1	· Plate	
		1	· · Bearing, plate	Not shown
11		1	· Screw kit, Hardware	Not shown
		2	· · Screw, brush assembly	
12		2	· · Screw, Solenoid	
13		1	· Intermediate lever	
14	3853714	2	· Nut, Solenoid	
15		1	Cable, Solenoid to solenoid	
16	3853326	2	Screw, Starter to housing	
17		1	Cable, Solenoid to solenoid	
18		1	Clamp	Part not sold