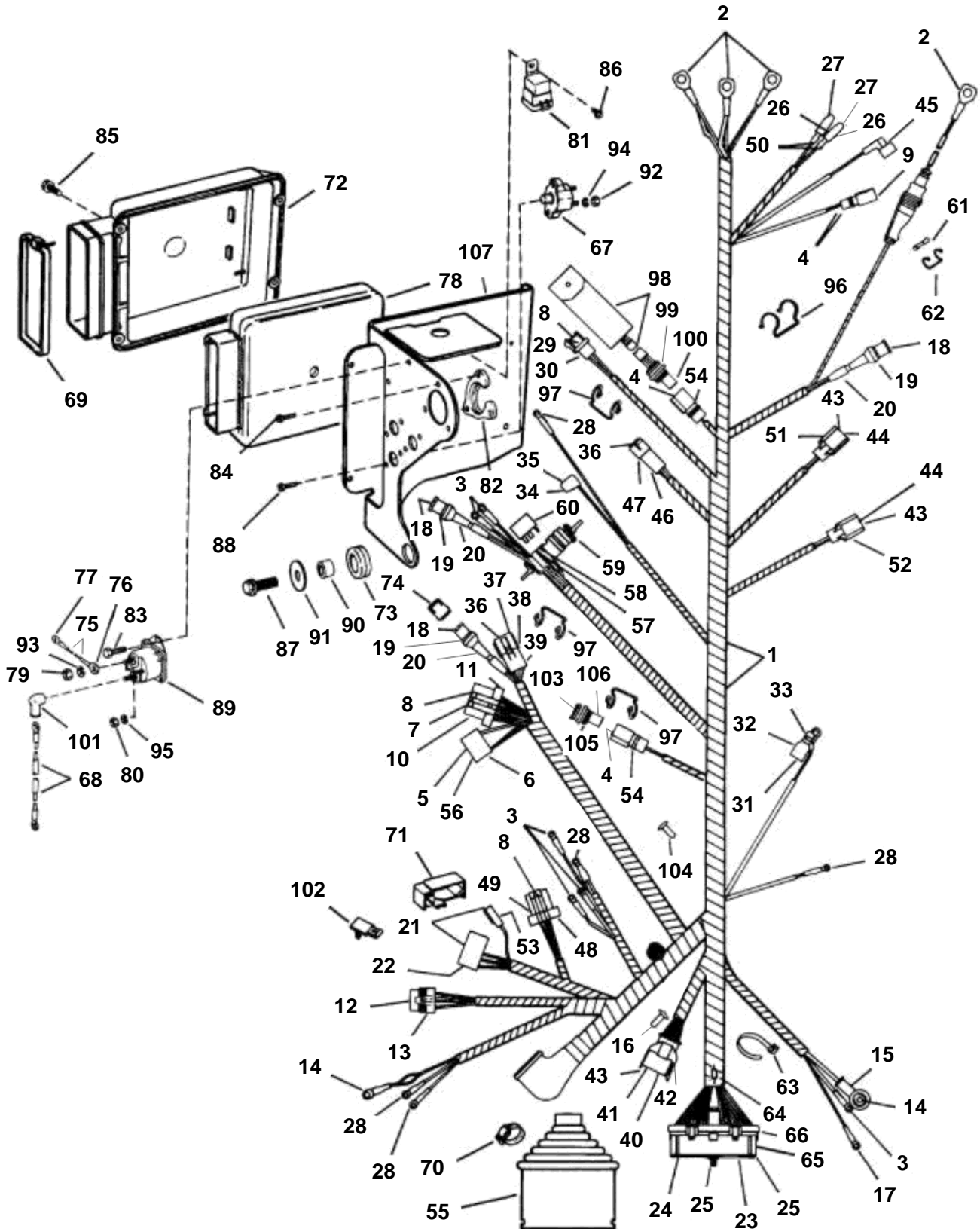


5.0FIPHUBCE, 5.0FIPHUCCE, 5.0FIPHUECE, 5.0FIPHURCE, 5.0FIPHUSCE, 5.8FIIHUBCE, 5.8FIIHUECE, 5.8FIPHUBCE, 5.8FIPHUCCE, 5.8FIPHUECE, 5.8FIPHURCE, 5.8FIPHUSCE, 5.8FSIPHUBCE, 5.8FSIPHUCCE, 5.8FSIPHUECE, 5.8FSIPHURCE, 5.8FSIPHUSCE



12568

5.0FIPHUBCE, 5.0FIPHUCCE, 5.0FIPHUECE, 5.0FIPHURCE, 5.0FIPHUSCE, 5.8FIIHUBCE, 5.8FIIHUECE, 5.8FIPHUBCE, 5.8FIPHUCCE, 5.8FIPHUECE, 5.8FIPHURCE, 5.8FIPHUSCE, 5.8FSIPHUBCE, 5.8FSIPHUCCE, 5.8FSIPHUECE, 5.8FSIPHURCE, 5.8FSIPHUSCE

REF	PART NO.	QTY	DESCRIPTION
1	3854877	1	Cable, Engine
2	3852527	4	· Terminal
3		7	· Terminal
4	3852229	10	· Terminal, Pin
5		1	· Terminal, E-coil
6		1	· Connector, E-coil
7		2	· Terminal, Ignition module
8		9	· Terminal
9	3853565	1	· Connector, Trim sender
10		1	· Retainer, Ignition module
11	3853678	1	· Connector, Ignition module
12	3852254	4	· Terminal, Relay
13	3854192	1	· Relay
14	3852107	2	· Terminal
15	3852130	1	· Rubber cap, Alternator
16	3852230	3	· Plug
17	3852036	1	· Terminal, Alternator ground
18	3853679	6	· Terminal
19	3852260	3	· Connector
20	3853681	3	· Trunk
21		5	· Terminal, Self test
22		1	· Cable terminal, Test output
23	3853533	12	· Terminal
24		15	· Terminal
25		1	· Retainer, ECA module
26	3852244	2	· Terminal, Water flow
27		2	· Cardboard tube, Water flow
28	3852233	5	· Terminal, Ring
29		1	· Retainer, Bypass solenoid
30	3853690	1	· Connector, Bypass solenoid
31	3853479	1	· Terminal, Temperature switch
32	3853478	1	· Sealing, Temperature switch
33	3853480	1	· Terminal casing, Temperature switch
34	3852084	1	· Terminal, Oil switch
35	3853320	1	· Cardboard tube, Oil switch
36	3853691	6	· Terminal
37		3	· Terminal, Distributor
38	3853693	1	· Retainer, Distributor
39		1	· Connector, Distributor
40	3853695	1	· Terminal, Fuel injector
41		1	· Retainer, Fuel injector
42	3853697	1	· Connector, Fuel injector
43	3853698	12	· Terminal
44		2	· Retainer
45	3853995	1	· Connector, Knock sensor
46	3853700	1	· Retainer, Throttle position
47	3853701	1	· Connector, Throttle position
48		1	· Retainer, MAP sensor
49		1	· Connector, MAP sensor
50	3852248	2	· Cable sleeve, Water flow
51		1	· Connector, Air charge
52		1	· Housing, Engine coolant
53		1	· Connector, Test input
54		2	· Pin connector, 4 pin
55	3853706	1	· Receptacle, ECA module
56		1	· Terminal, E- coil
57	3852246	3	· Terminal, Fuel pump
58	3852247	1	· Terminal, Fuel pump
59	3852210	1	· Bracket, Fuel pump
60	3852259	1	· Relay, Fuel pump
61	3850985	1	· Fuse

5.0FIPHUBCE, 5.0FIPHUCCE, 5.0FIPHUECE, 5.0FIPHURCE, 5.0FIPHUSCE, 5.8FIIHUBCE, 5.8FIIHUECE, 5.8FIPHUBCE, 5.8FIPHUCCE, 5.8FIPHUECE, 5.8FIPHURCE, 5.8FIPHUSCE, 5.8FSIPHUBCE, 5.8FSIPHUCCE, 5.8FSIPHUECE, 5.8FSIPHURCE, 5.8FSIPHUSCE

REF	PART NO.	QTY	DESCRIPTION
62	3852499	1	• Retainer, Fuse
63		1	• Cable tie, ECA boot
64	3852258	3	• Kit
65		1	• Connector, ECA
66	3853569	1	Bracket, Electrical components
67	3854162	1	Automatic fuse, 12 1/2 Amp
	3854164	1	Automatic fuse, 50 amp
	3854186	1	Automatic fuse, 60 Amp
68		1	Cable, Solenoid to solenoid
69		1	Strap, ECA module
70	3853786	1	Hose clamp, Instrument cable
71		1	Cardboard tube, Self test output
72	3854189	1	Cardboard tube, ECA module
73	3852195	3	Grommet, Electrical bracket
74	3853643	1	Bridge connector, Timing test lead
75		2	Cable, Solenoid to breaker
76	3852037	1	• Terminal
77	3852245	1	• Terminal
78		1	Control unit, ECA, 5.0Fi
		1	Control unit, ECA, 5.8Fi
		1	Control unit, ECA, 5.8FSi
79	3852042	2	Nut, Assist solenoid
80	3852064	2	Nut, Assist solenoid
81	3854138	1	Relay, Engine control
82	3852825	1	Retainer, Engine cable
83	3852194	2	Screw, Start assist solenoid
84	3852208	3	Screw, Retainer
85	3852208	4	Screw, ECA cover
86	3852212	1	Screw, ECA relay
87	3852454	3	Screw, Electrical bracket
88	3853620	6	Hexagon screw, Circuit breaker
89	3853839	1	Solenoid, Starter
90	3853617	3	Bushing, Bushing
91	3852136	3	Washer, Electrical bracket
92	3852064	6	Nut, Circuit breaker
93	3852055	2	Spring washer, Assist solenoid
94	3852001	6	Spring washer, Circuit breaker
95	3852001	4	Spring washer, Assist solenoid
96	3852237	1	Retainer, Trim cable
97	3852238	2	Retainer
98	3854216	1	Module, Knock
99	3852241	1	• Connector, 4 socket
100	3852257	4	• Terminal, Socket
101	3852487	2	Trunk, Cable
102		1	Clip, Self test cover
103	3852411	1	Connector
104	3852230	2	• Plug, Connector seal
105	3852241	1	• Connector, 4 socket
106	3852257	1	• Terminal, Socket
107	3853569	1	Bracket