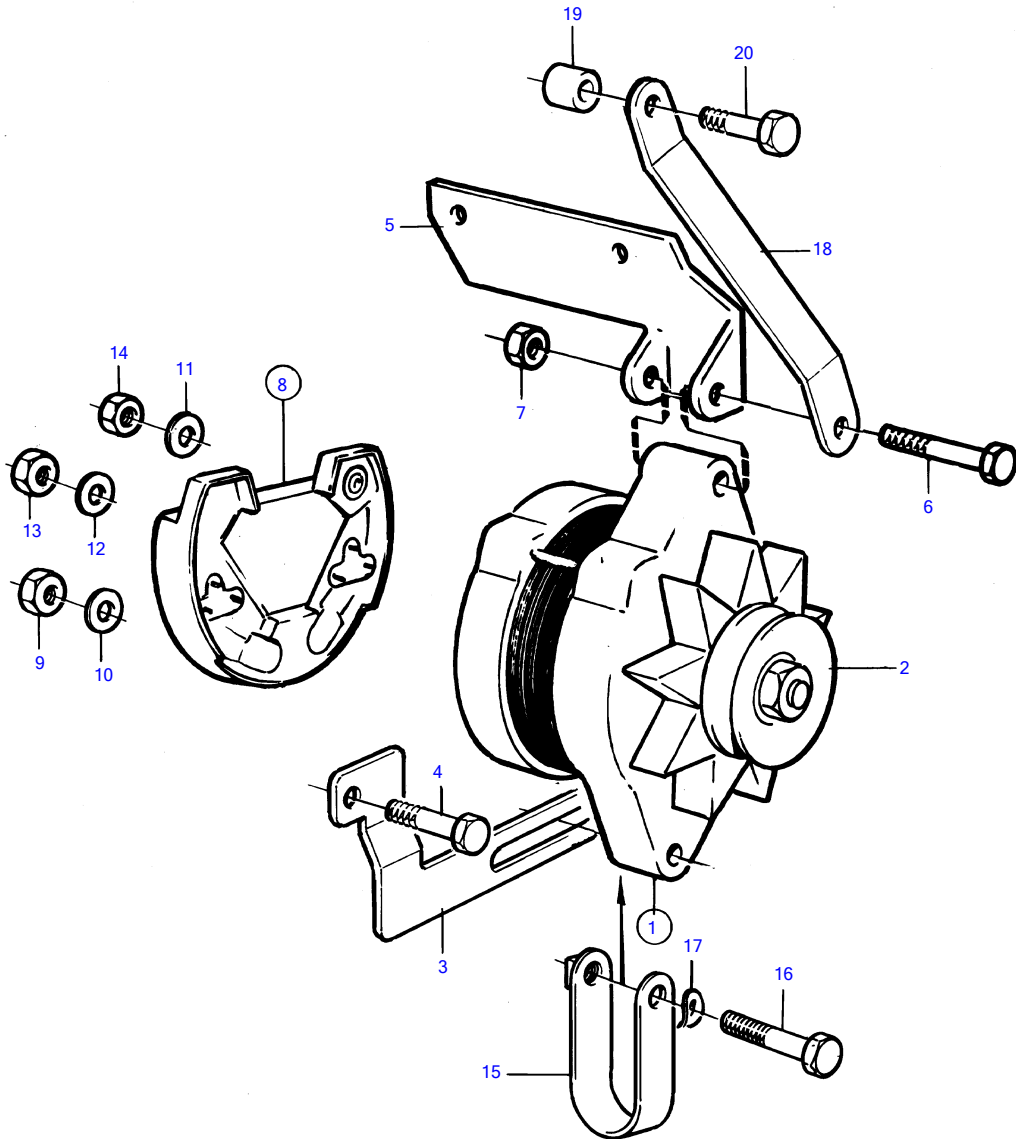


430A, 430B, 431A, 431B



9051

430A, 430B, 431A, 431B

REF	PART NO.	QTY	DESCRIPTION	SEE SEC.	NOTES
1	858838	1	Alternator		For 12 voltage electric system., Also available as an exchange part., 14V 50A
			•	12550	
	872018	1	Alternator		For 12 voltage electric system., Also available as an exchange part., 14V 50A
			•	12550	
2	841813	1	Pulley		
3	855390	1	Tensioner		
4	955534	1	Hexagon screw		
5	(835913)	1	Anchorage		Obsolete part
6	955700	1	Hexagon screw		
7	950375	1	Lock nut		
8	858968	1	Junction block		
9	955781	2	• Hexagon nut		
10	941906	2	• Spring washer		
11	941906	1	Spring washer		
12	941905	1	Spring washer		
13	955781	1	Hexagon nut	+	
14	955780	1	Hexagon nut		
15	466735	1	Tensioning eyelet		
16	955298	1	Hexagon screw		
17	941907	1	Spring washer		
18	856405	1	Bracket		
19	824205	1	Spacer sleeve		Not to be used with power steering.
20	940162	1	Hexagon screw		