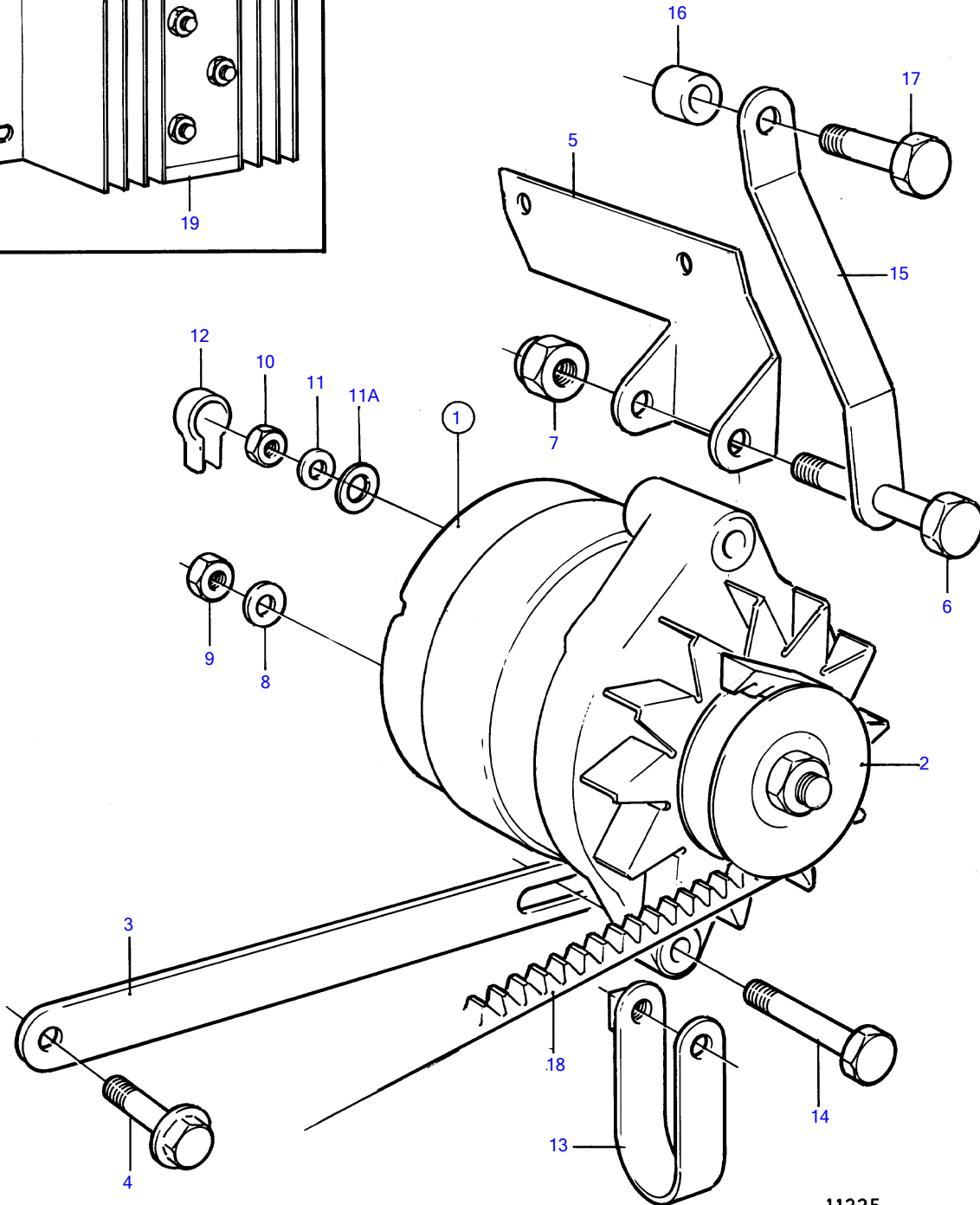
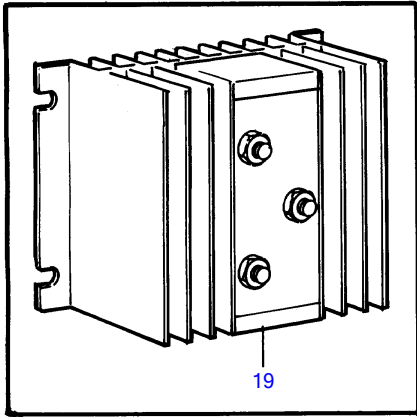


432A, 434A



11225

432A, 434A

| REF | PART NO.  | QTY | DESCRIPTION            | SEE SEC. | NOTES   |
|-----|-----------|-----|------------------------|----------|---|
| 1   | 872235    | 1   | Alternator             |          | For 12 voltage electric system., Also available as an exchange part., 14V 60A |
|     | 3803260   | 1   | Alternator, exch, exch |          | For 12 voltage electric system., Also available as an exchange part., 14V 60A |
|     |           |     | .                      | 12550    |   |
| 2   | 841813    | 1   | Pulley                 |          |   |
| 3   | (857441)  | 1   | Tensioner              |          | Obsolete part   |
| 4   | 946173    | 1   | Flange screw           |          |   |
| 5   | (835913)  | 1   | Anchorage              |          | Obsolete part   |
| 6   | 955700    | 1   | Hexagon screw          |          |   |
| 7   | 950375    | 1   | Lock nut               |          |   |
| 8   | 941905    | 1   | Spring washer          |          |   |
| 9   | 955780    | 1   | Hexagon nut            |          | +   |
| 10  | 955781    | 1   | Hexagon nut            |          |   |
| 11  | 941906    | 1   | Spring washer          |          |   |
| 11A | 960140    | 1   | Washer                 |          |   |
| 12  | (1234326) | 1   | Protecting casing      |          | Obsolete part   |
| 13  | 466735    | 1   | Tensioning eyelet      |          |   |
| 14  | 955298    | 1   | Hexagon screw          |          |   |
| 15  | 856405    | 1   | Bracket                |          |   |
| 16  | 824205    | 1   | Spacer sleeve          |          | Not to be used with power steering.   |
| 17  | 940162    | 1   | Hexagon screw          |          |   |
| 18  | 966857    | 1   | V-belt                 |          |   |
| 19  | 873120    | 1   | Junction block         |          | Installed on the bulkhead., See group 9                                       |
|     |           |     | Bulletin 52-07         | 52-07-EN | Charging Distributor  |
|     |           |     | Bulletin 52-11         | 52-11-EN | Charging Distributor  |