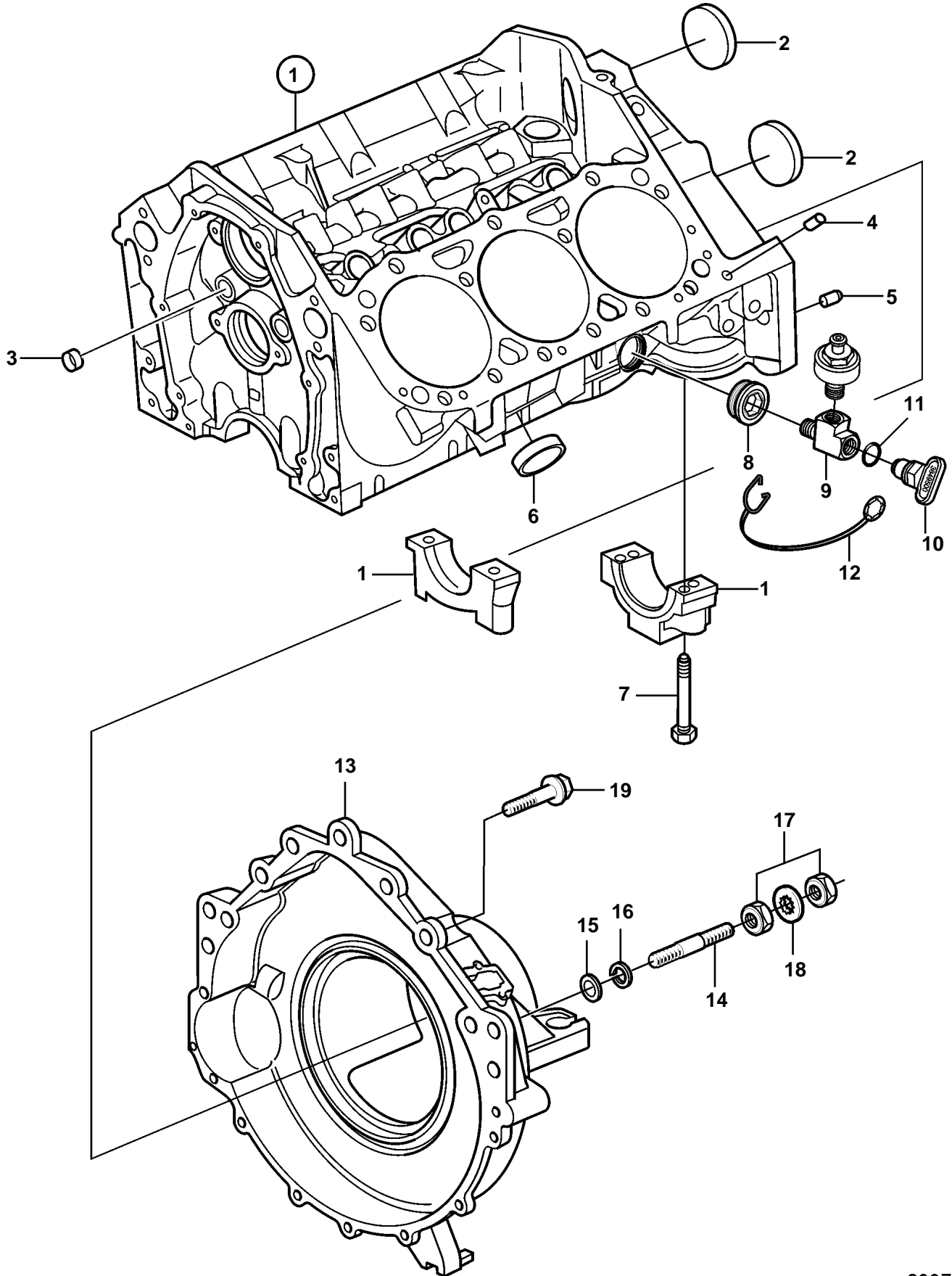


4.3GXIE-M



4.3GXIE-M

REF	PART NO.	QTY	DESCRIPTION	NOTES
1		1	Cylinder block	
2	3853209	2	· Core plug	
3	3853208	2	· Cap plug	
4	3853114	4	· Locating pin	
5	3856001	2	· Pin	
6	3852100	8	· Core plug	
7	3862355	10	· Bolt	
8	3593585	1	Plug	Port
9	3593571	1	Fitting	Port
	3849477	1	Fitting	Starboard
10	21114522	2	Drain plug	
	3849500	2	· Plug	Replaced by 21114522
11	976970	2	· O-ring	
12	3849892	2	· Retainer	
13		1		
14	3857937	2	Stud	
15	980933	2	Washer	
16	3852046	2	Spring washer	
17	971071	6	Hexagon nut	
18	982679	4	Toothed washer	
19	965222	2	Flange screw	L=65mm
	946472	2	Flange screw	L=30mm