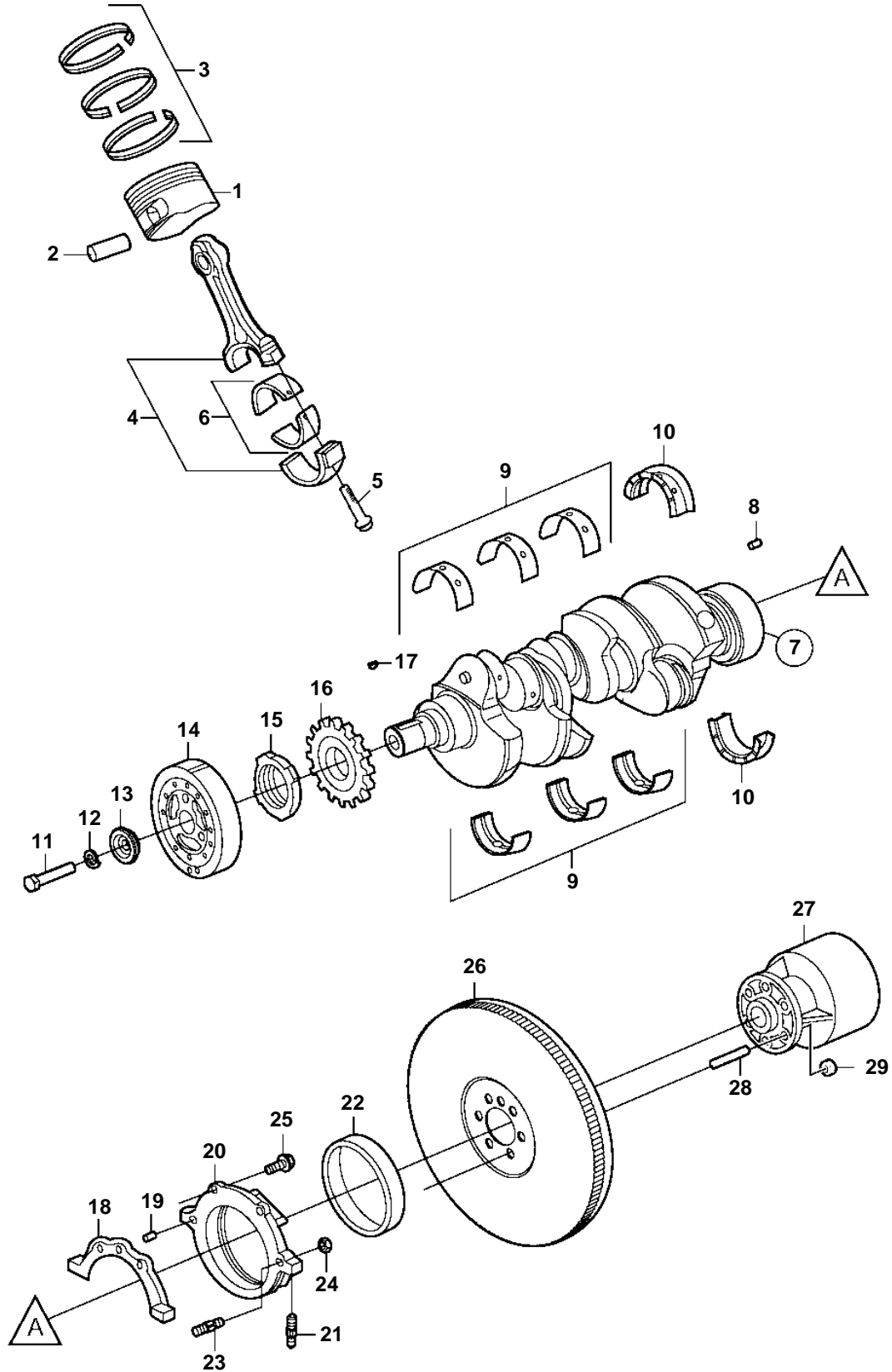


4.3GXIE-M



4.3GXIE-M

REF	PART NO.	QTY	DESCRIPTION	NOTES
1	21179952	6	Piston	Standard
2		6	• Pin	not sold separately
3	21179959	6	Piston ring kit	Standard
4	21179974	6	Connecting rod	
5		12	Screw	Part not sold
6	21179992	6	Bearing kit	Standard
7	3858693	1	Crankshaft	
8	21180043	1	• Pin	
9	21180021	3	Main bearing kit	Standard
10	21180054	1	Bearing kit	Standard
11	949518	1	Hexagon screw	
12	3852046	1	Spring washer	
13	3858177	1	Washer	
14	3859022	1	Vibration damper	
15	21124850	1	Ring	
16		1	Gear	not sold separately
17	3859024	2	Woodruff key	
18	3852656	1	Gasket	
19	3856140	1	Pin	
20	3858695	1	Housing	
21	3857718	2	• Stud	
22	3858698	1	• Sealing	
23	3859027	1	Stud	
24	3853206	1	Nut	
25	3853203	2	Bolt	L=.875" (22.2mm)
	3853204	1	Bolt	L=1.75" (44.5mm)
26	3858694	1	Flywheel	
	3855970	1	• Gear	
27	3858437	1	Rubber coupling	
28	3853274	6	Stud	
29	3853273	6	Nut	