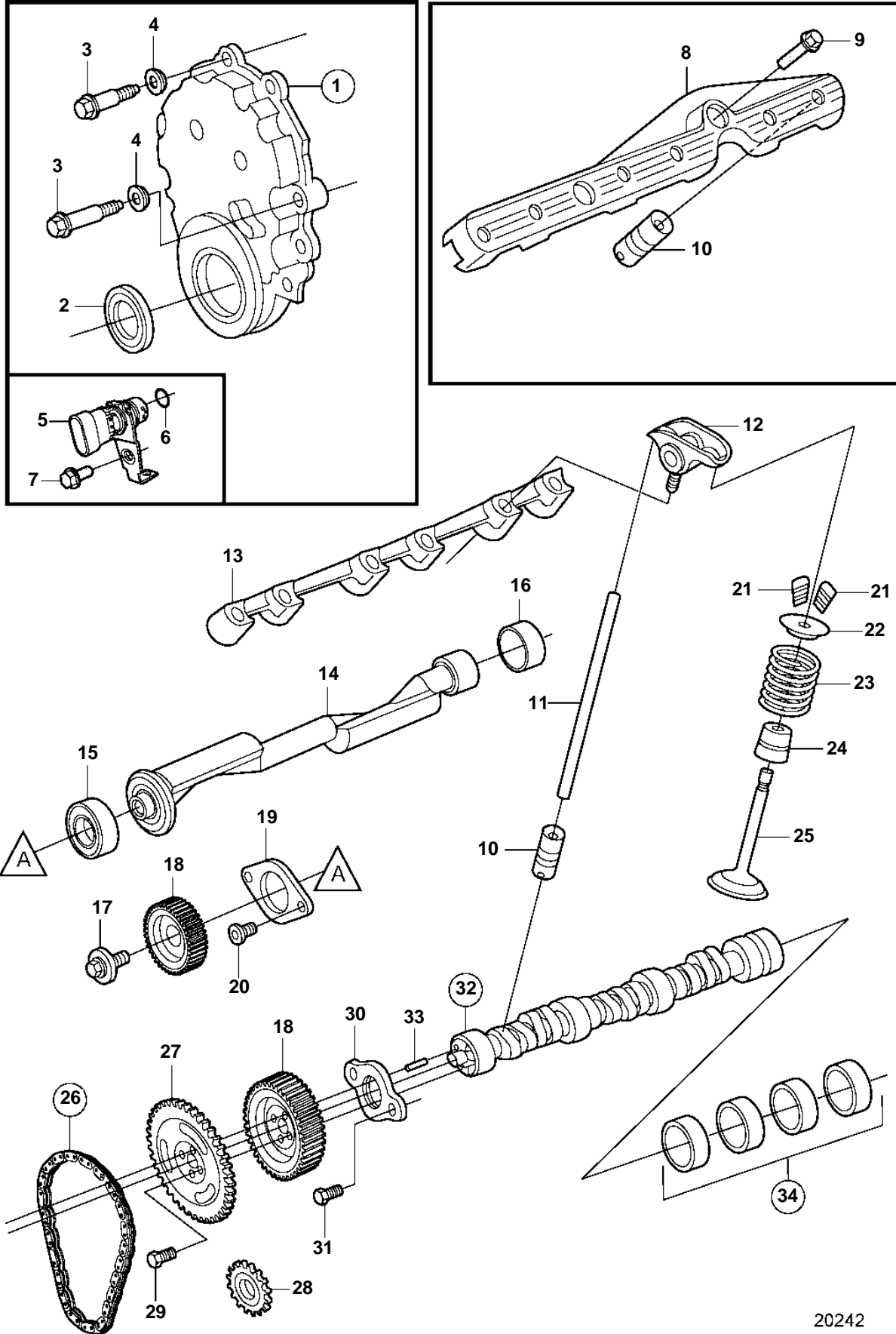


4.3GXIE-M



20242

4.3GXIE-M

REF	PART NO.	QTY	DESCRIPTION	NOTES
1	21180065	1	Cover	
	21124841	1	· Gasket	
2	3862262	1	· Sealing	
3	3855736	2	· Screw	
	3855737	6	· Screw	
4	3855739	8	· Grommet	
5	21124849	1	Sensor, crankshaft position	
6	3859009	1	· O-ring	
7	3858983	1	Bolt	
8	3855825	2	Guide	
9	3855817	4	Bolt	
10	3855811	12	Valve tappet	
11	3856118	12	Push rod	
12	3861873	12	Rocker arm	
		12	· Bolt	not sold separately
13	3861874	2	Support	
14	3857715	1	Shaft, balance	
15	3850519	1	Bearing	
16	3854315	1	Bearing	
17	3854320	1	Bolt	
18	3854314	1	Gear	Set
19	3854317	1	Retainer	
20	3853172	2	Screw	
21	3855823	24	Valve cotter	
22	3855816	12	Valve cap	
23	3855815	12	Valve spring	
24	3855814	6	Valve stem seal	Intake
	3862362	6	Valve stem seal	Exhaust
25	3855810	6	Valve	Standard
	3855808	6	Valve	Standard
26	21185300	1	Sprocket, timing chain	
27		1	Gear, camshaft	not sold separately
28		1	Gear, crankshaft	not sold separately
29		3	Bolt	
30	3854329	1	Retainer	
31	3854323	2	Bolt	
32	3854328	1	Camshaft	
33		1	· Pin	
34	3856778	1	Bearing	