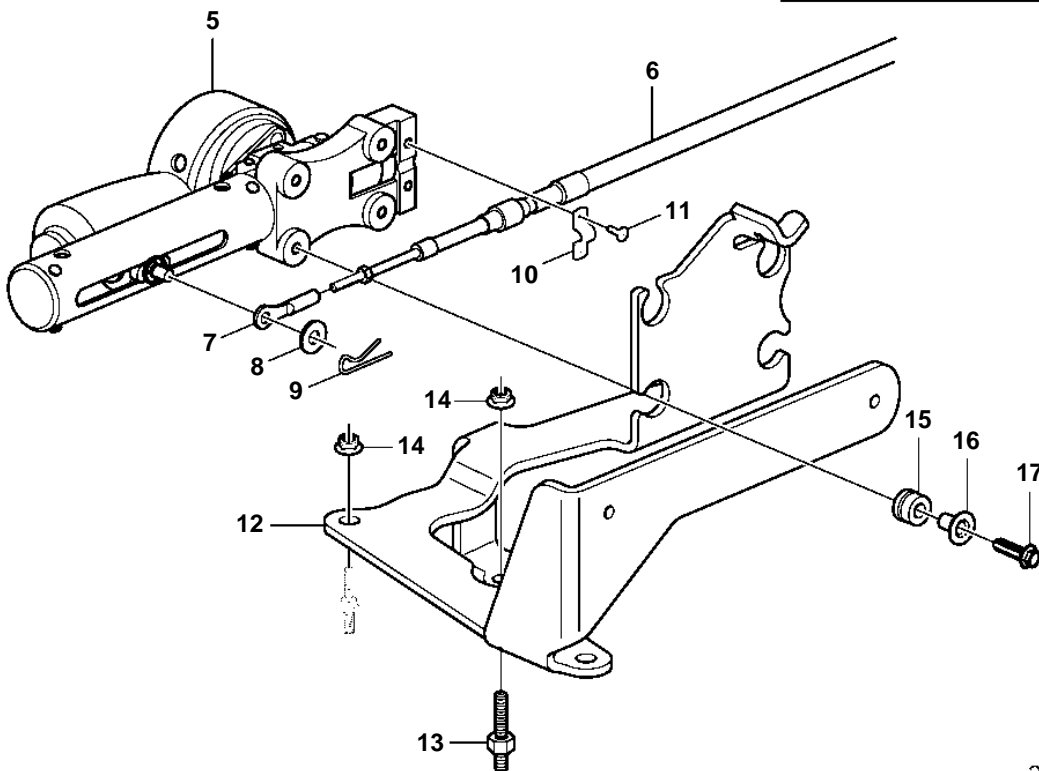
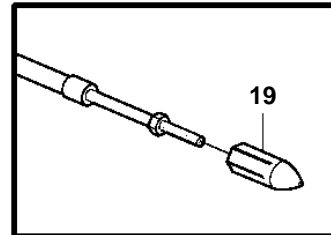
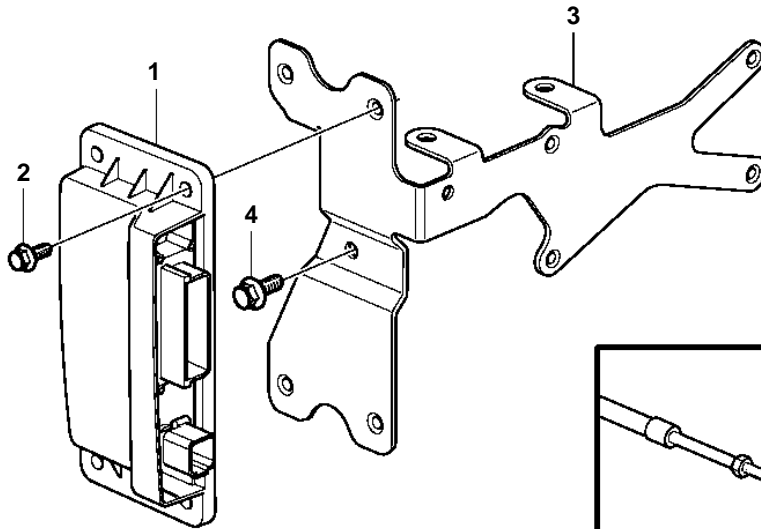
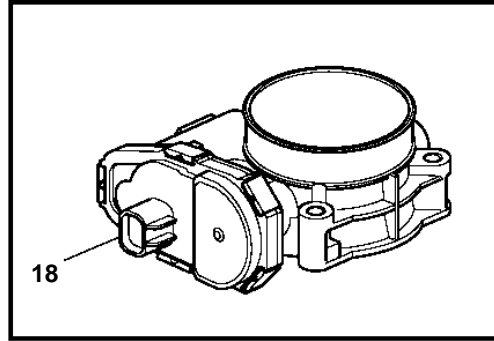


4.3GXIE-M



24937

4.3GXIE-M

REF	PART NO.	QTY	DESCRIPTION	NOTES
1	3849496	1	Control unit	
2	945444	4	Flange screw	
3	21297326	1	Bracket	
4	3853399	1	Screw	
5	3848712	1	Shift motor	Shift
6	3594991	1	Cable	
7	3850941	1	Adapter	
8	940191	1	Washer	
9	17253	1	Split pin	
10	21144647	1	Bracket	
11	973155	2	6 point socket screw	
12	21297333	1	Bracket	
13	3594748	1	Spacer screw	L=45mm
14	981124	3	Flange nut	
15	3594888	4	Vibration damper	
16	3594890	4	Sleeve	
17	3843651	4	Screw	
18		1	Throttle control	See "Throttle Body" page
19	40005050	1	Guide	