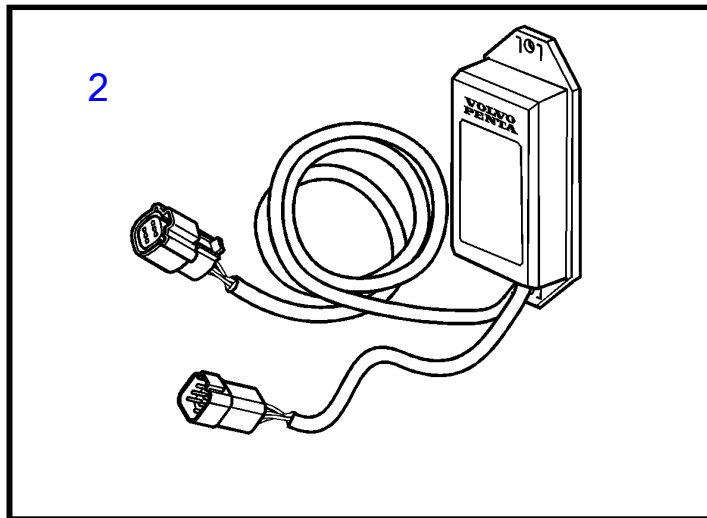
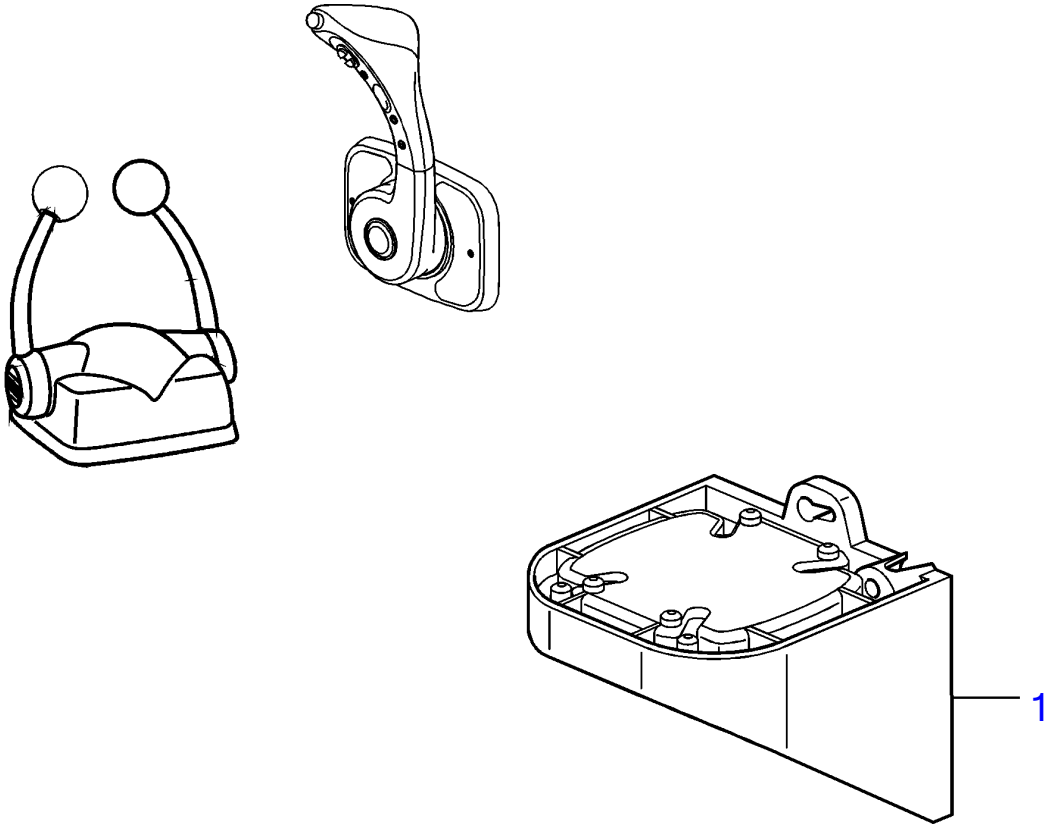


4.3GXIE-225-R



4.3GXIE-225-R

REF	PART NO.	QTY	DESCRIPTION	NOTES
1	21520222	1	Control unit	HCU, replaced by next part number
	21847518	1	Control unit	HCU
2	21460908	1	Converter	

47701918-28-36265

25410

Upd:2014-11-10