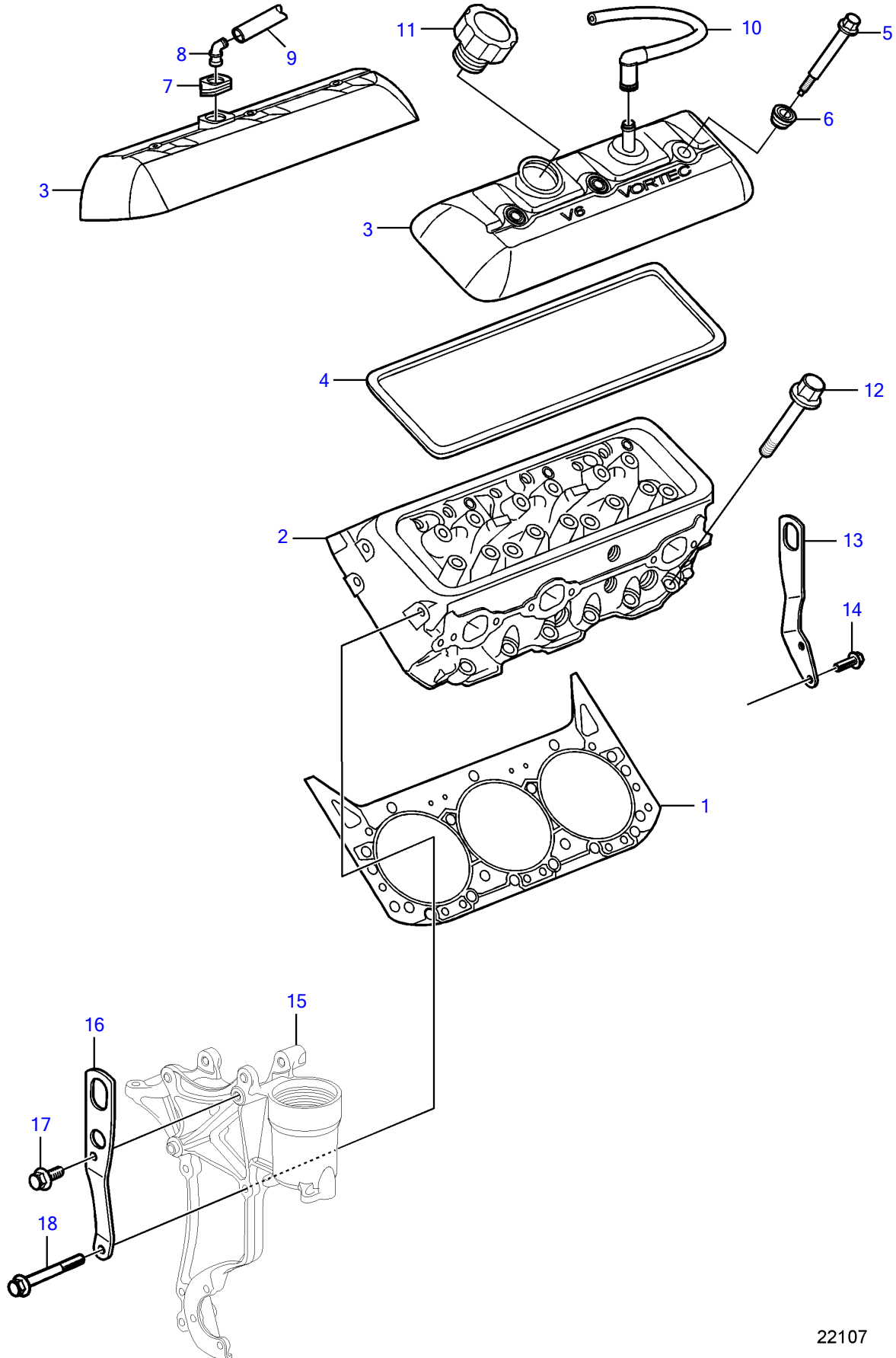


4.3GXI-P, 4.3GXI-Q



22107

4.3GXI-P, 4.3GXI-Q

REF	PART NO.	QTY	DESCRIPTION	NOTES
1	3854299	2	Cylinder head gasket	
2	3861911	2	Cylinder head	
3	3842875	1	Valve cover	Port
	3854948	1	Valve cover	Starboard
4	3854942	2	• Gasket	
5	3854946	6	• Bolt	
6	3855020	6	• Grommet	
7	3854947	1	Grommet	
8	3852104	1	Elbow	
9	3862744	1	Hose	To flame arrestor
10	3809328	1	Hose	
11	3854944	1	Oil filler cap	
12	3856122	10	Bolt	L=3 51/64" (96mm)
	3856123	4	Bolt	L=3 1/16" (78mm)
	3856124	10	Bolt	L=1.62" (41mm)
13	21338270	1	Lifting eye	Starboard, Rear
14	(3853557)	2	Flange screw	Obsolete part, 3/8" - 16 unc, L=0.75" (19mm)
15	21573817	1	Bracket	
16	21338268	1	Lifting eye	
17	(3853557)	1	Flange screw	Obsolete part, 3/8" - 16 unc, L=0.75" (19mm)
18	3853392	1	Flange screw	