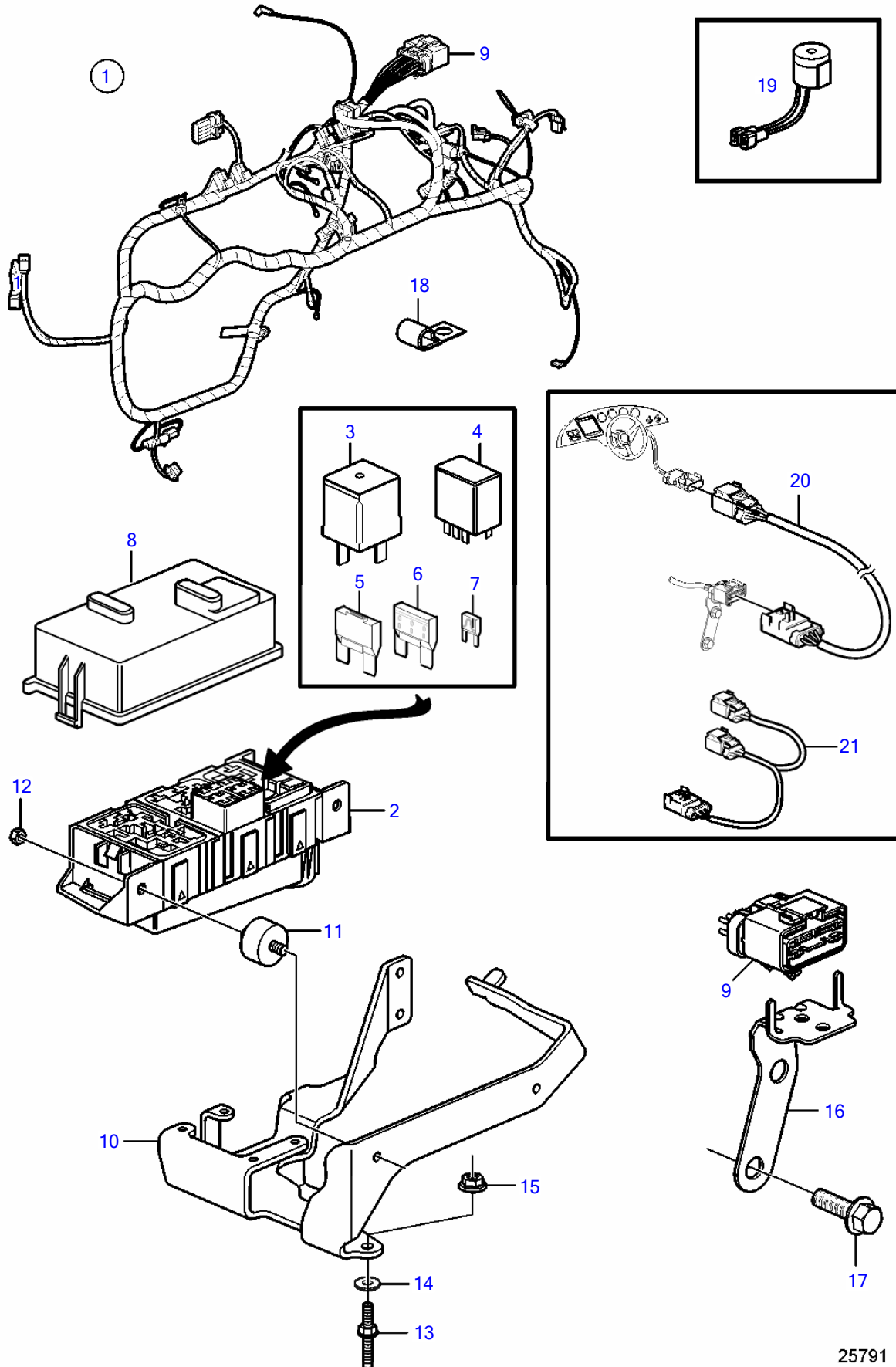


4.3GXI-P, 4.3GXI-Q



4.3GXi-P, 4.3GXi-Q

REF	PART NO.	QTY	DESCRIPTION	NOTES
1	21454936	1	Wiring harness	
2		1	• Fuse box	Not sold separately
3	3858809	3	• Relay	
4	3841366	2	• Relay	
5	3884849	1	• Fuse	40A
6	3841370	1	• Fuse	20A
	3841371	1	• Fuse	40A
7	3841373	1	• Fuse	5A
	3863403	1	• Fuse	7.5A
	3841372	1	• Fuse	10A
	3861373	1	• Fuse	15A
	3861374	1	• Fuse	20A
8		1	• Cover plate	Not sold separately
9		1	• Connector, 14 pin	Not sold separately
10	3819214	1	Bracket	
11	3840402	2	Mounting base	
12	3852118	2	Nut	
13	3858973	2	Bolt	
14	3852193	2	Washer	
15	981124	2	Flange nut	
16	3884234	1	Bracket	
17	(3853557)	2	Flange screw	Obsolete part
18	(3852146)	2	Clamp, J	Obsolete part, D=.375" (9.5mm)
	3852434	3	Clamp, J	D=.750" (19.0mm)
19	3883706	1	Alarm	Mounted at the helm.
20	21147169	1	Wiring harness	L=3.0m, 10 ft.
	21147170	1	Wiring harness	L=6.0m, 19.7 ft.
	21147171	1	Wiring harness	L=8.0m, 26.2 ft.
21	3887733	1	Wiring harness, y	