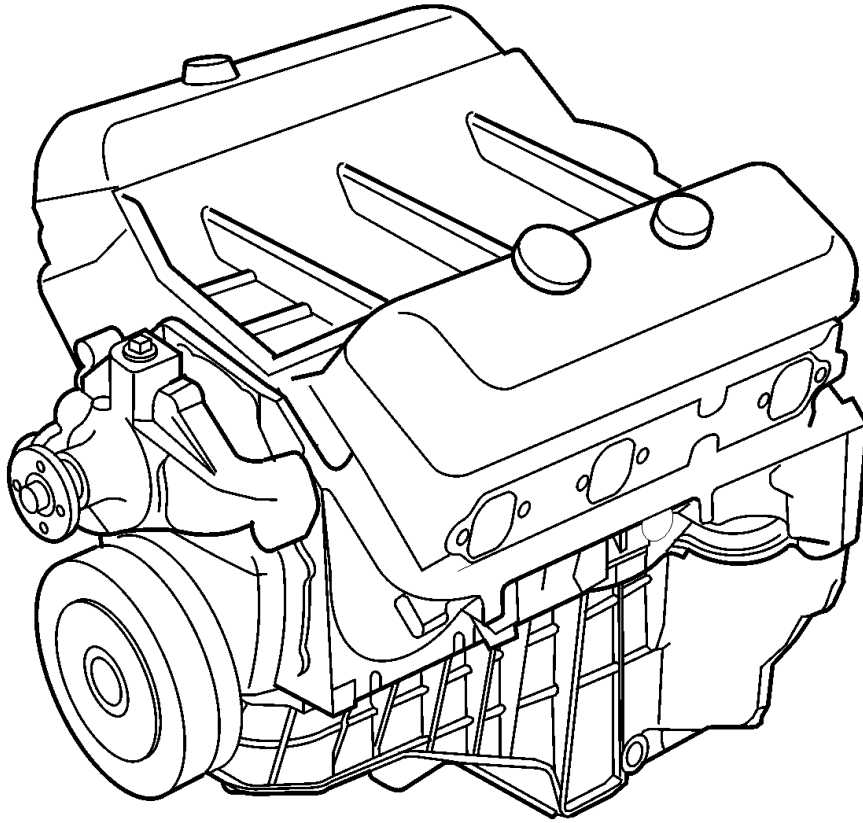


4.3GXi-G, 4.3GXi-GF, 4.3OSi-G, 4.3OSi-GF

①



4.3GXi-G, 4.3GXi-GF, 4.3OSi-G, 4.3OSi-GF

REF	PART NO.	QTY	DESCRIPTION	SEE SEC.	NOTES
1	3862055	1	Short block		Image is a generic picture of longblock, details about included parts are in Parts Bulletin.
			• Bulletin P-21-0-12	P-21-0-12-EN	Longblock Guidelines, 4.3GL
			• Bulletin P-21-0-13	P-21-0-13-EN	Longblock Guidelines, 4.3GX & OS