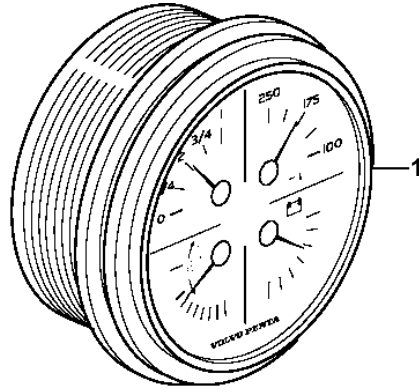
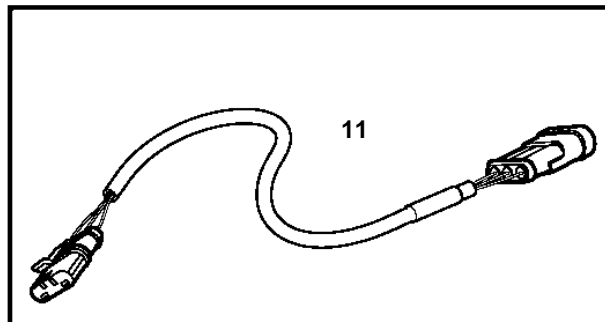
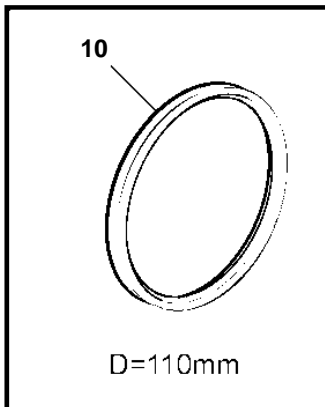
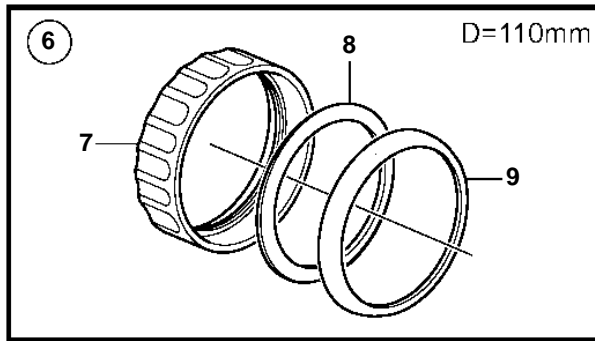
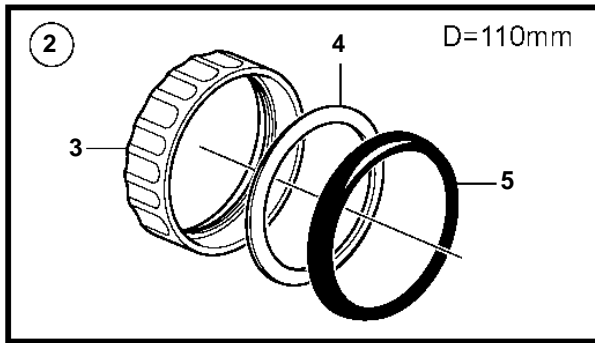


4.3GXi-G, 4.3GXi-GF, 4.3OSi-G, 4.3OSi-GF



D=110mm



4.3GXi-G, 4.3GXi-GF, 4.3OSi-G, 4.3OSi-GF

| REF | PART NO. | QTY | DESCRIPTION | SEE SEC. | NOTES |
|-----|----------|-----|-------------------------------------|-------------|----------------------------------------------------------------------------------------------|
| 1 | 3885214 | 1 | Instrument · Bulletin P-36-9-3 | P-36-9-3-EN | Oil pressure, coolant temp, fuel level, volt meter, White New products in the EVC family |
| 1 | 3885215 | 1 | Instrument · Bulletin P-36-9-3 | P-36-9-3-EN | Trim (analog), coolant temp, fuel level, volt meter, White New products in the EVC family |
| 1 | 3847876 | 1 | Instrument · Bulletin P-36-9-3 | P-36-9-3-EN | Oil pressure, coolant temp, fuel level, volt meter, Black New products in the EVC family |
| 1 | 3847879 | 1 | Instrument · Bulletin P-36-9-3 | P-36-9-3-EN | Trim (analog), coolant temp, fuel level, volt meter, Black New products in the EVC family |
| 2 | 3847888 | 1 | Mounting kit · Bulletin P-36-9-3 | P-36-9-3-EN | Black New products in the EVC family |
| 3 | 3884098 | 1 | · Attaching ring | | |
| 4 | 3884103 | 1 | · Gasket | | |
| 5 | 3847887 | 1 | · Ring | | |
| 6 | 3885216 | 1 | Mounting kit · Bulletin P-36-9-3 | P-36-9-3-EN | Chrome New products in the EVC family |
| 7 | 3884098 | 1 | · Attaching ring | | |
| 8 | 3884103 | 1 | · Gasket | | |
| 9 | 3884096 | 1 | · Ring | | |
| 10 | 3886791 | 1 | X-ring · Bulletin P-36-9-3 | P-36-9-3-EN | For flush mounting. New products in the EVC family |
| 11 | 874759 | 1 | Extension cable'verl | | L=1000mm |
| | 3807043 | 1 | Extension cable'verl | | L=3000mm |