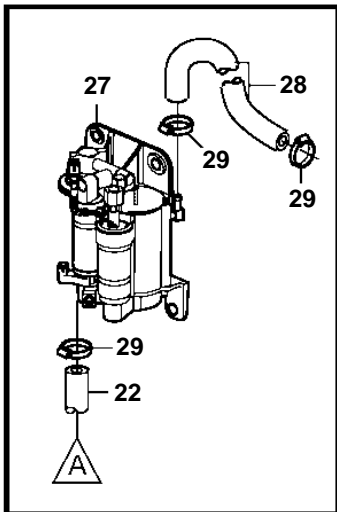
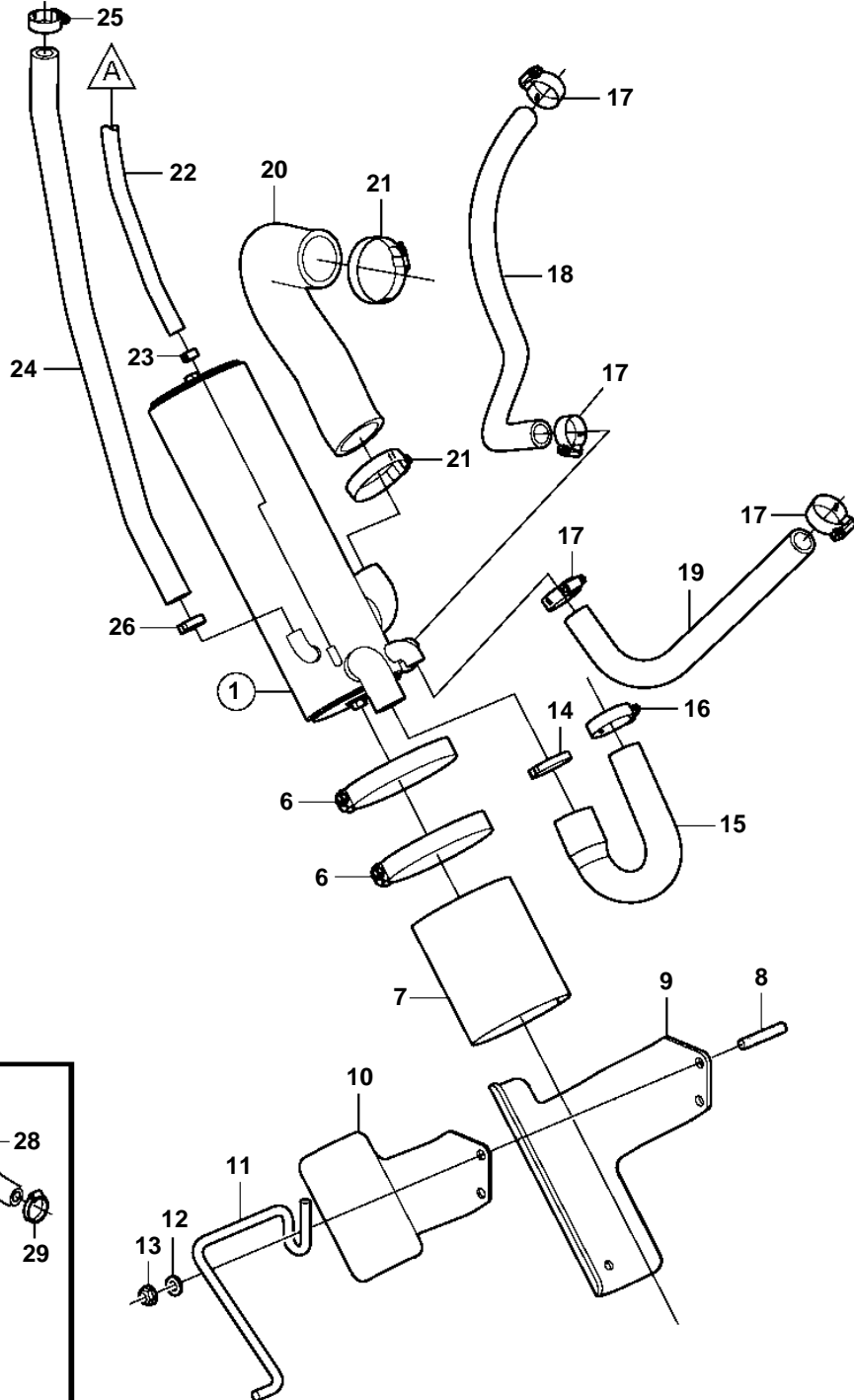
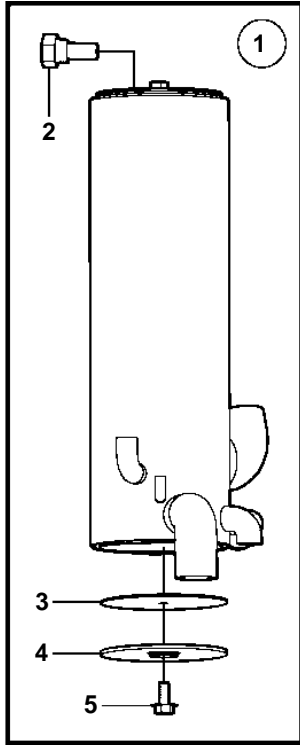


4.30Si-G, 4.30Si-GF



4.30Si-G, 4.30Si-GF

REF	PART NO.	QTY	DESCRIPTION	NOTES
1	3861471	1	Heat exchanger	
2	3858995	1	· Anode	
3	3858993	2	· Gasket	
4	3858992	2	· Cover	
5	3858994	2	· Screw	
6	3863443	2	Hose clamp	
7	3861453	1	Gasket	
8	941814	2	Stud	
9	3842368	1	Bracket	
10	3842369	1	Bracket	
11	3817688	1	Bracket	
12	980933	2	Washer	
13	3857181	2	Flange lock nut	
14	982717	1	Clamp	
15	3817818	1	Hose	
16	3863440	1	Hose clamp	
17	3812303	4	Hose clamp	
18	3860588	1	Hose	Starboard exhaust manifold
19	3860587	1	Hose	Port exhaust manifold
20	3861472	1	Hose	
21	3863438	2	Hose clamp	
22	3860590	1	Hose	Fuel pump
23	982643	1	Clamp	
24	3861485	1	Hose	Expansion tank
25	3812303	1	Hose clamp	
26	982967	1	Clamp	
27		1	Fuel pump	
28	3862550	1	Hose	
29	3860413	3	Hose clamp	