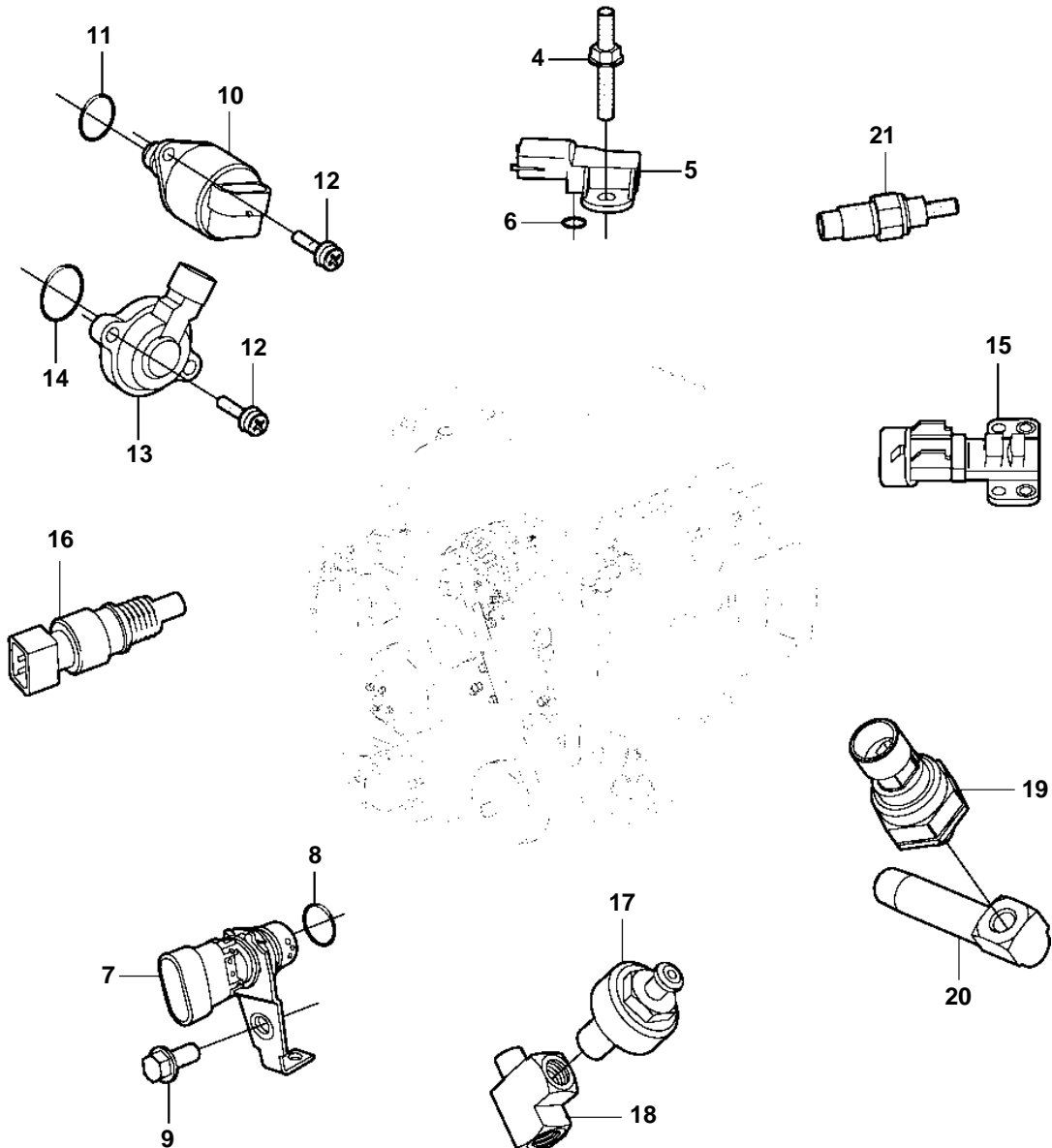
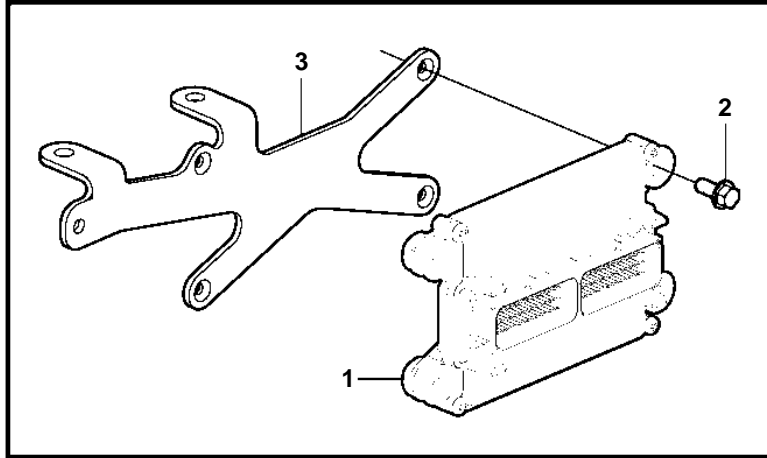


4.3GXi-F, 4.3GXi-FF, 4.3OSi-F, 4.3OSi-FF



## 4.3GXi-F, 4.3GXi-FF, 4.3OSi-F, 4.3OSi-FF

REF	PART NO.	QTY	DESCRIPTION
1	3818615	1	Ecu
2	3819503	4	Screw
3	3817810	1	Bracket
4	3858973	1	Stud
5	3859020	1	Sensor, MAT/MAP
6	3858988	1	· Seal
7	3858979	1	Sensor, crankshaft position
8	3859009	1	· O-ring
9	3858983	1	Screw
10	3857696	1	lac valve
11	3858054	1	· O-ring
12	3857693	1	Screw kit
13	3857487	1	Sensor, throttle position
14		1	· O-ring
15	3863130	1	Sensor, camshaft position
16	3850397	1	Switch
17	3861977	2	Knock sensor
18	3850490	2	Fitting
19	3842442	1	Oil pressure sensor
20	3842440	1	Fitting
21	3862500	2	Temperature sensor