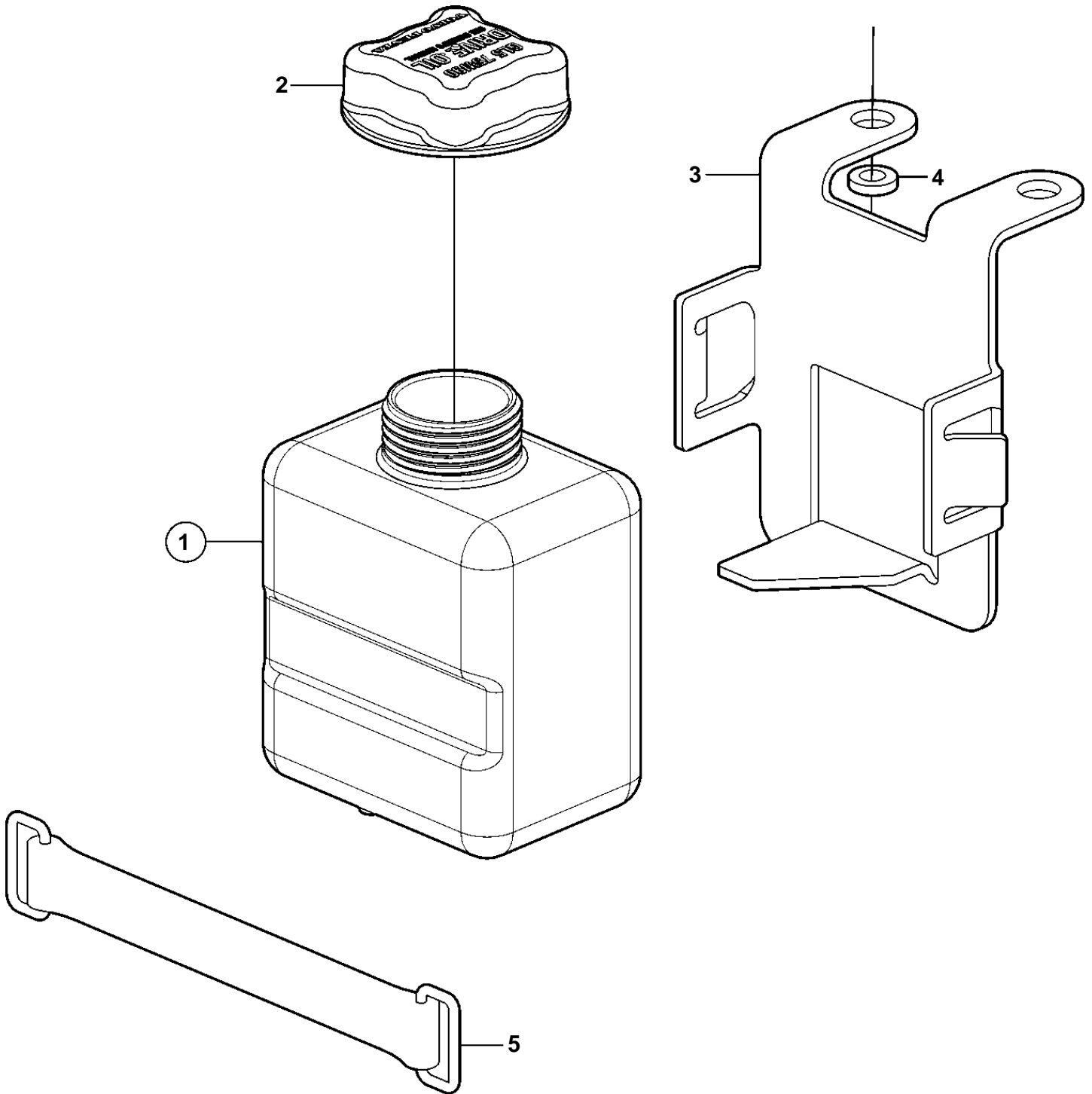


4.30Si-E, 4.30Si-EF



18772

