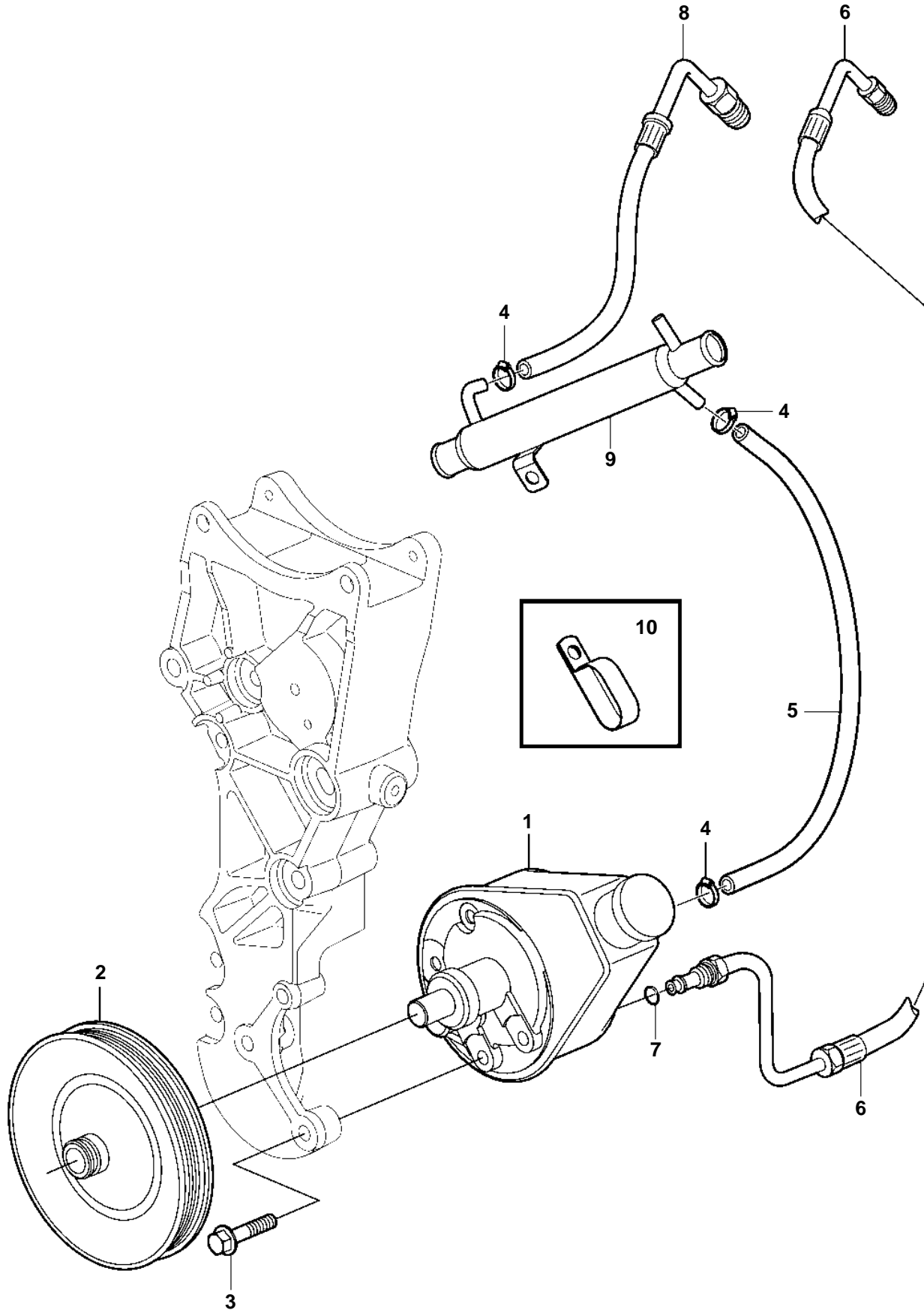


4.3GXi-E, 4.3GXi-EF, 4.3OSi-E, 4.3OSi-EF



4.3GXi-E, 4.3GXi-EF, 4.3OSi-E, 4.3OSi-EF

| REF | PART NO. | QTY | DESCRIPTION | NOTES |
|-----|----------|-----|---------------------|----------|
| 1 | 3850491 | 1 | Power steering pump | |
| 2 | 3862700 | 1 | Pulley | |
| 3 | 946752 | 1 | Flange screw | M10x35mm |
| | 965220 | 2 | Flange screw | M10x45mm |
| 4 | 982663 | 3 | Clamp | |
| 5 | 3862598 | 1 | Return hose | |
| 6 | 3863146 | 1 | Pressure hose | |
| 7 | 3852497 | 1 | O-ring | |
| 8 | 3863148 | 1 | Hose | |
| 9 | 3862629 | 1 | Oil cooler | |
| 10 | | 1 | Clamp | |