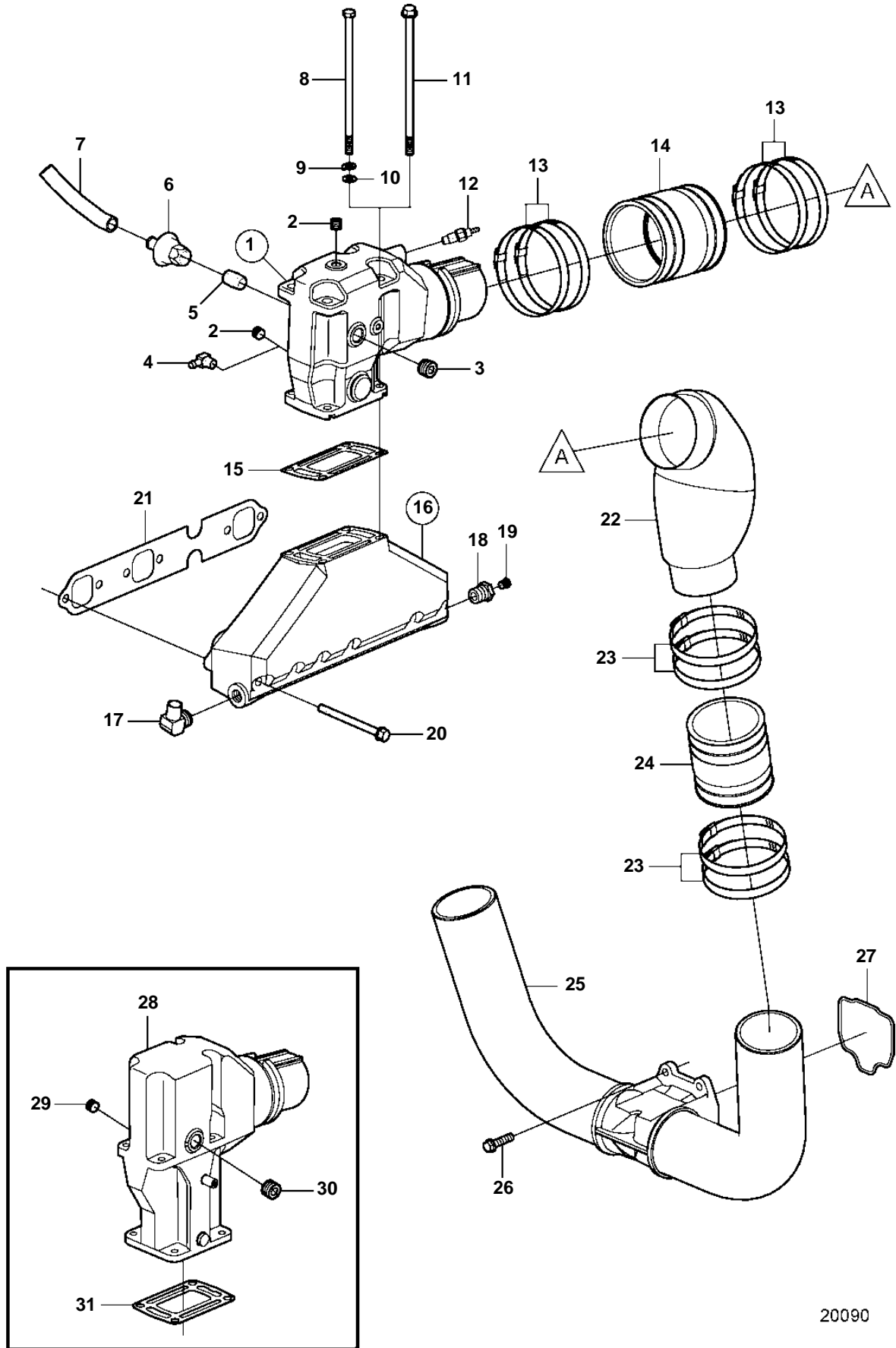


4.30Si-E, 4.30Si-EF



Upd: 27 JAN 2006

20090

20090

7744420 - 25 - 9440

4.30Si-E, 4.30Si-EF

REF	PART NO.	QTY	DESCRIPTION	NOTES
1	3863061	2	Exhaust riser	
2	3850740	4	• Plug	
3	3850999	2	• Plug	
4	3853597	1	Elbow	
5	3857763	2	Fitting	
6	3857761	2	Valve	
7	3857178	2	Hose	
8	3852830	8	Screw	EARLIER PROD
9	3852002	8	Lock washer	EARLIER PROD
10	980933	8	Washer	EARLIER PROD
11	3808361	8	Flange screw	LATER PROD
12	3862500	2	Temperature sensor	
13	3863443	8	Clamp	
14	3852696	2	Exhaust hose	
15	3863191	1	Gasket kit	
		2	• Gasket	
16	3857656	2	Exhaust manifold	
17	3852538	2	• Elbow	
18	3858291	2	• Reducer sleeve	
19	3850802	2	• Plug	
20	3857184	12	Screw	
21	3853412	2	Gasket	
22	3854874	2	Exhaust pipe	
23	3863442	8	Clamp	
24	3852741	2	Hose	
25	3858873	1	Exhaust pipe	
26	946752	4	Flange screw	
27	3587651	1	Sealing kit	
28	3862904	X	Exhaust pipe kit	3.00" (76mm)
29	3850740	2	• Plug	
30	3850999	2	• Plug	
31	3863191	X	Gasket kit	
		2	• Gasket	