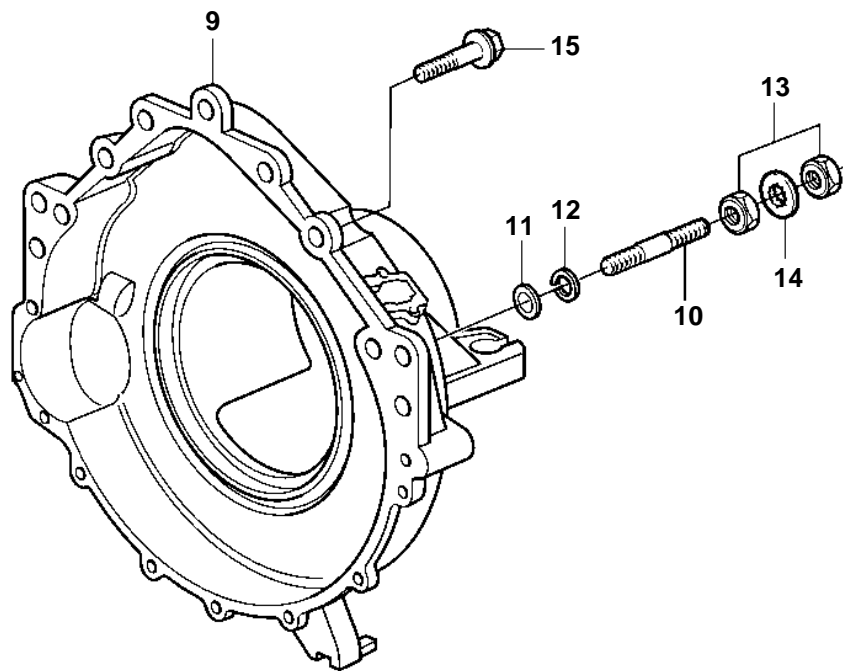
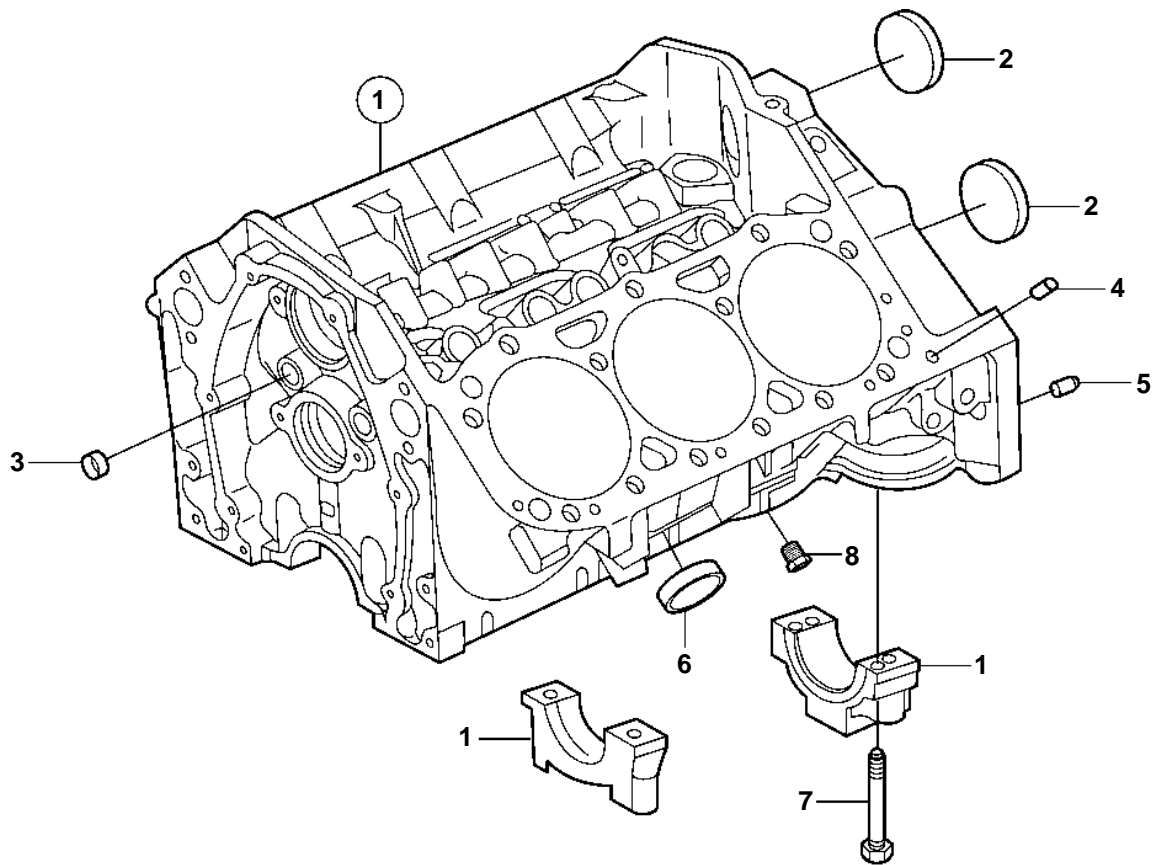


4.30Si-E, 4.30Si-EF



4.30Si-E, 4.30Si-EF

REF	PART NO.	QTY	DESCRIPTION	NOTES
1		1	Cylinder block	
2	3853209	2	· Core plug	
3	3853208	2	· Cap plug	
4	3853114	4	· Locating pin	
5	3856001	2	· Pin	
6	3852100	8	· Core plug	
7	3862355	10	· Screw	
8	3850802	X	Plug	
9	3857846	1	Flywheel housing	
10	982676	2	Stud	
11	980933	2	Washer	
12	982475	2	Spring washer	
13	971074	4	Nut	
14	982679	4	Lock washer	
15	982702	1	Flange screw	L=25mm
	946472	3	Screw	L=30mm