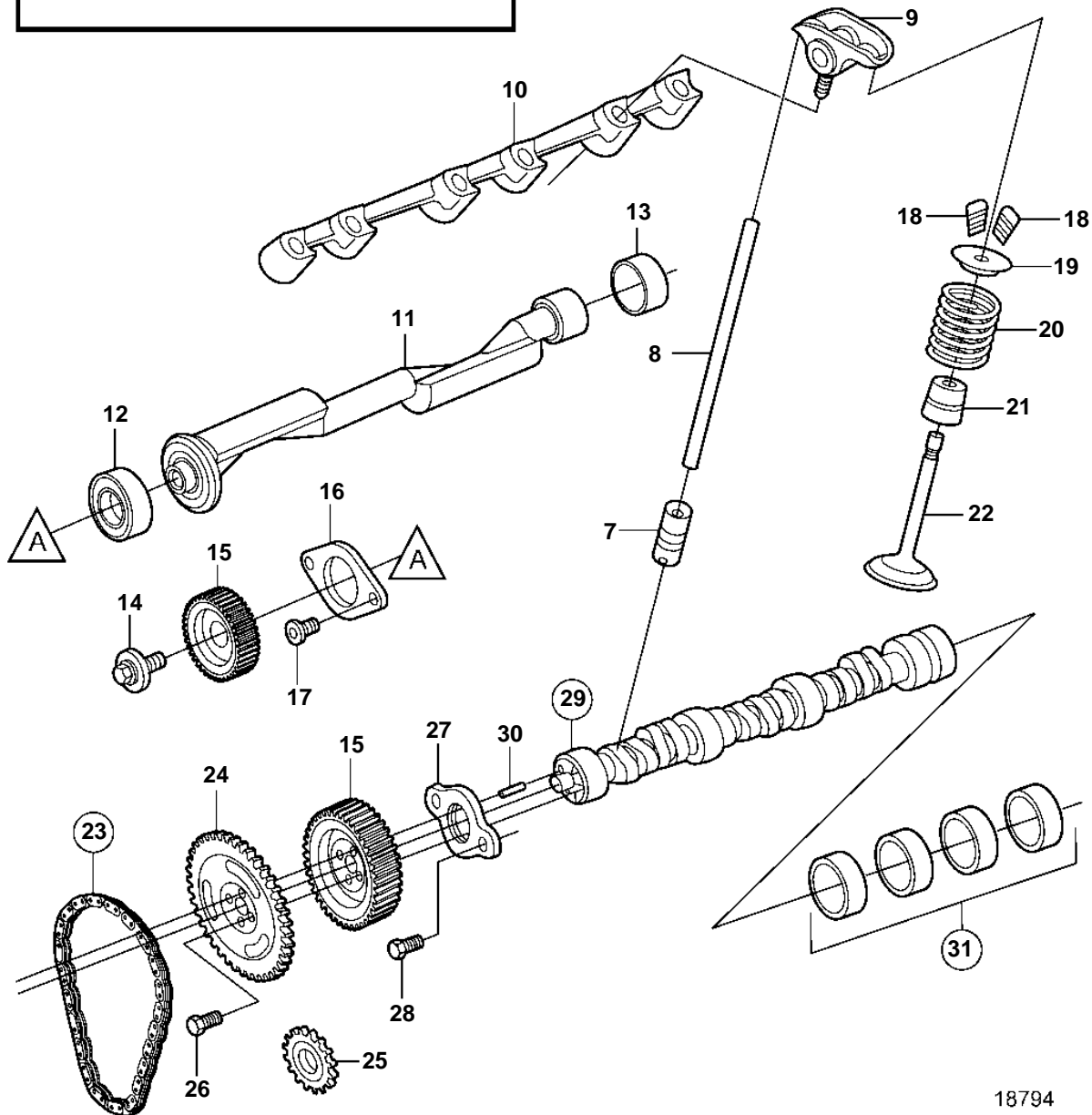
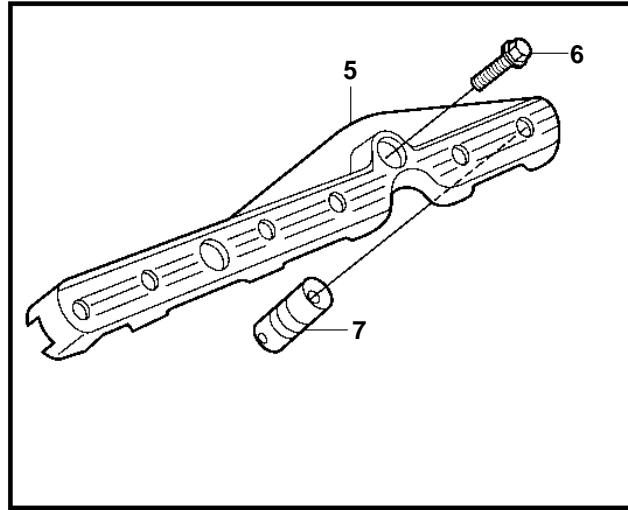
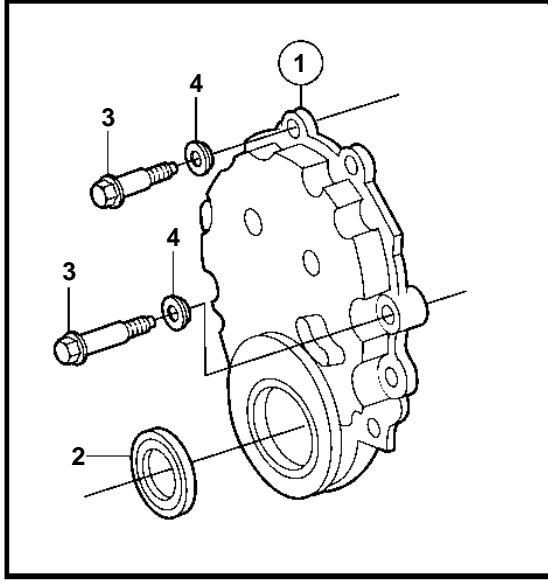


4.3GXi-E, 4.3GXi-EF, 4.3OSi-E, 4.3OSi-EF



18794

4.3GXi-E, 4.3GXi-EF, 4.3OSi-E, 4.3OSi-EF

REF	PART NO.	QTY	DESCRIPTION	NOTES
1	3859023	1	Timing gear cover	
		1	· Gasket	
2	3862262	1	· Seal	
3	3855736	2	· Screw	
	3855737	6	· Screw	
4	3855739	8	· Grommet	
5	3855825	2	Guide	
6	3855817	4	Screw	
7	3855811	12	Lifter	
8	3856118	12	Push rod	
9	3861873	12	Rocker arm	
		12	· Bolt	
10	3861874	2	Support	
11	3857715	1	Shaft, balance	
12	3850519	1	Bearing	
13	3854315	1	Bearing bushing	
14	3854320	1	Screw	
15	3854314	1	Drive gear	SET
16	3854317	1	Retainer	
17	3853172	2	Screw	
18	3855823	24	Valve collet	
19	3855816	12	Valve cap	
20	3855815	12	Valve spring	
21	3855814	6	Valve stem seal	INTAKE
	3862362	6	Valve stem seal	EXHAUST
22	3855810	6	Inlet valve	STD
	3855808	6	Exhaust valve	STD
23	3859021	1	Kit, timing chain, gears	
		1	· Chain	
24		1	· Gearcamshaft	
25		1	· Gearcrankshaft	
26	3854330	3	Screw	
27	3854329	1	Retainer	
28	3854323	2	Screw	
29	3854328	1	Camshaft	
30	3857717	1	· Pin	
31	3856778	1	Camshaft bearing kit	