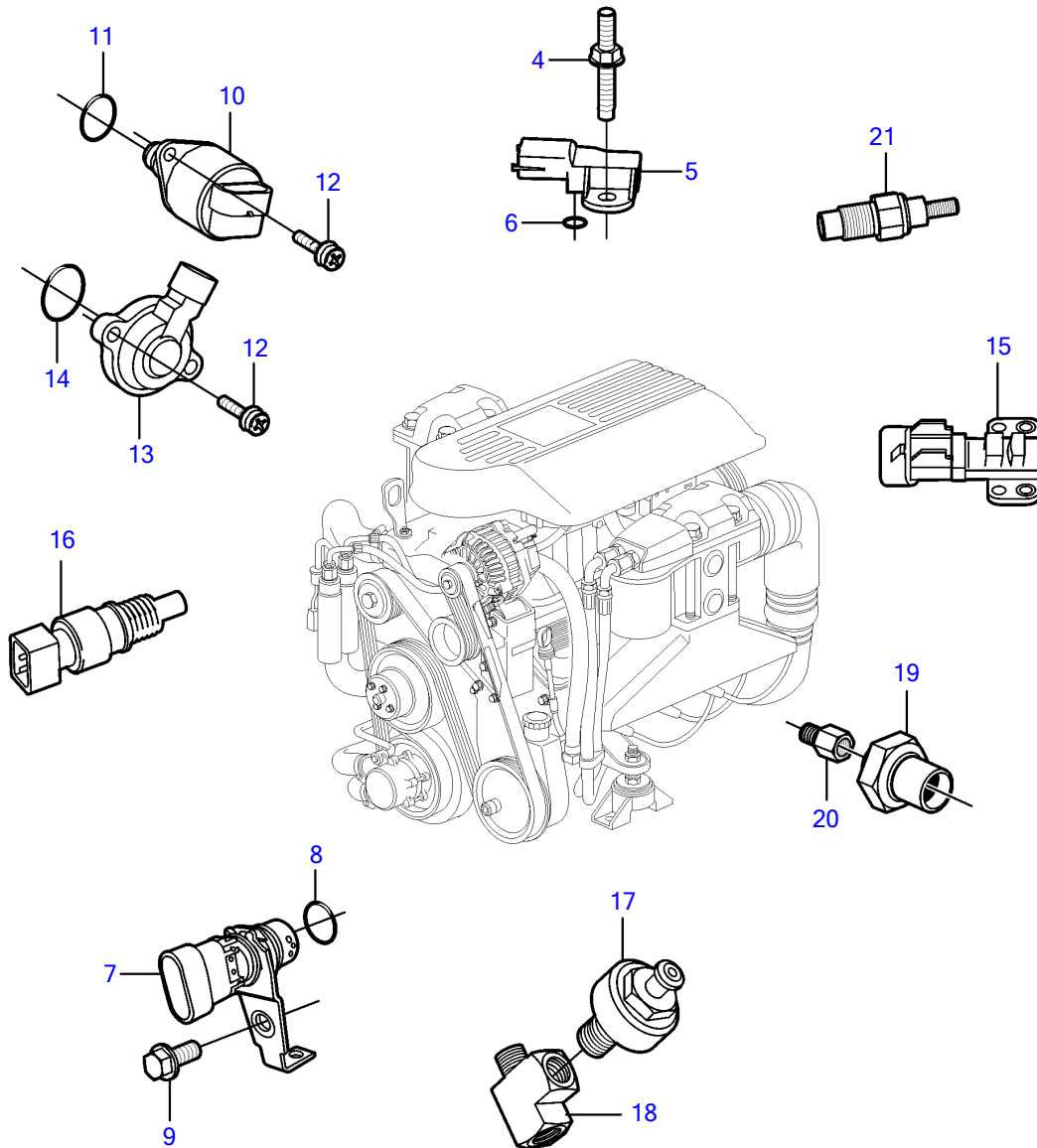
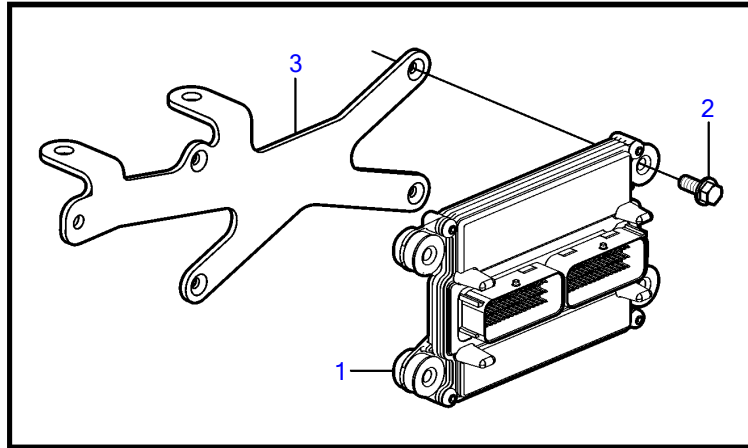


4.3GXl-225-R



23356

4.3GXi-225-R

REF	PART NO.	QTY	DESCRIPTION	NOTES
1	21461924	1	Module	
	21627033	1	Module	
2	3843651	4	Flange screw	
3	3843886	1	Bracket	
4	3858973	1	Bolt	
5	3859020	1	Sensor, MAT/MAP	
6	3858988	1	• Sealing	
7	21124849	1	Sensor, crankshaft position	
8	3859009	1	• O-ring	
9	3858983	1	Bolt	
10	3843750	1	Sensor	
11	(3858054)	1	• O-ring	Obsolete part
12	(3857693)	1	Screw	Obsolete part
13	3857487	1	Sensor, throttle position	
14		1	• O-ring	Not sold separately
15	3863130	1	Sensor, camshaft position	
16	3850397	1	Switch	
17	3861977	2	Knock sensor	
18	3593571	1	Fitting	Port
	3849477	1	Adapter	Starboard
19	3887328	1	Sensor	
20	3887970	1	Fitting	
21	3862500	2	Temperature sensor	