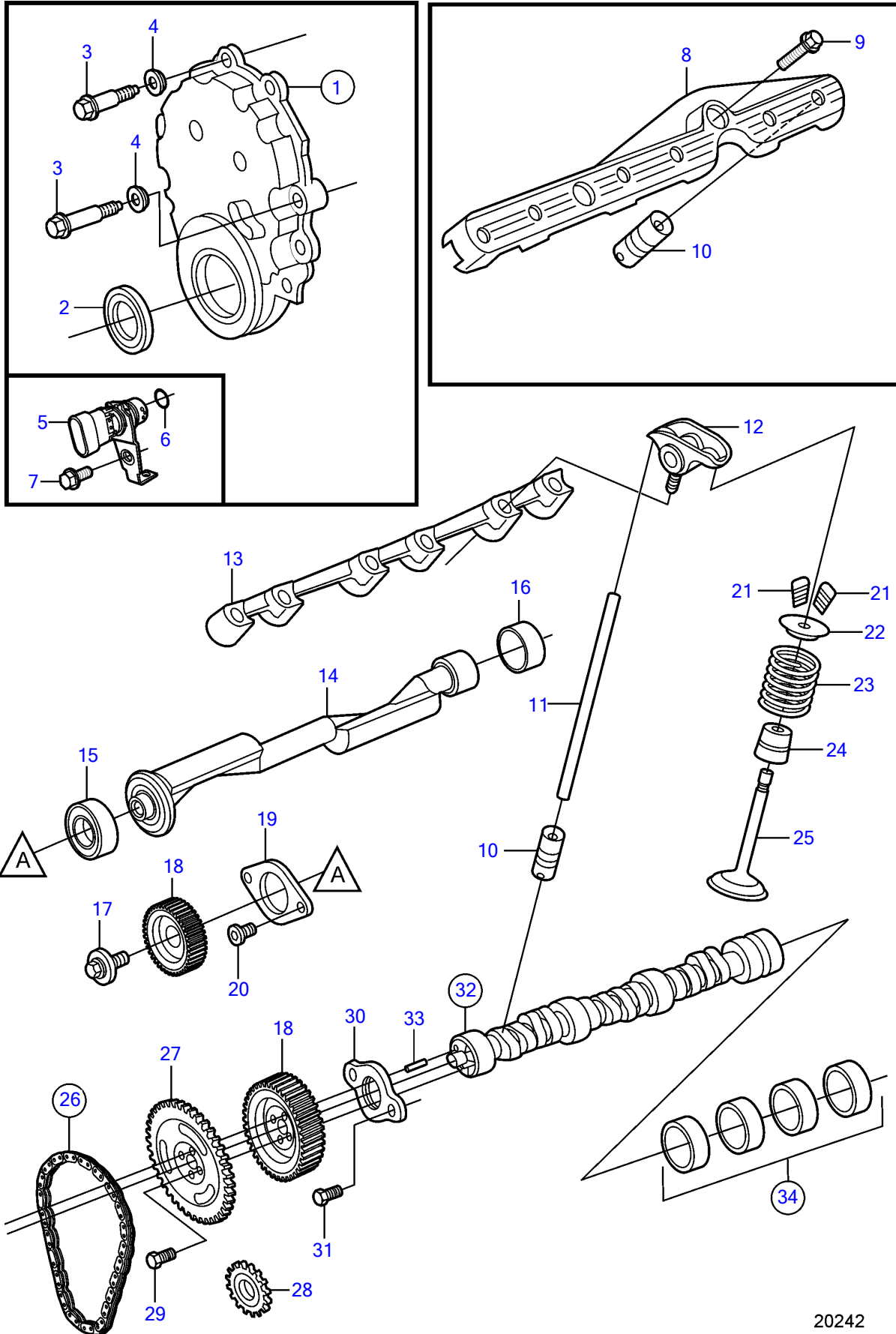


4.3GXi-225-R, 4.3Gi-200-R



20242

## 4.3GXi-225-R, 4.3Gi-200-R

REF	PART NO.	QTY	DESCRIPTION	NOTES
1	21180065	1	Cover	
	21124841	1	• Gasket	
2	3862262	1	• Sealing	
3	(3855736)	2	• Screw	Obsolete part
	3855737	6	• Screw	
4	3855739	8	• Grommet	
5	21124849	1	Sensor, crankshaft position	
6	3859009	1	• O-ring	
7	3858983	1	Bolt	
8	3855825	2	Guide	
9	3855817	4	Bolt	
10	3855811	12	Valve tappet	
11	3856118	12	Push rod	
12	3861873	12	Rocker arm	
		12	• Bolt	Not sold separately
13	3861874	2	Support	
14	3857715	1	Shaft, balance	
15	3850519	1	Bearing	
16	3854315	1	Bearing	
17	3854320	1	Bolt	
18	3854314	1	Gear	Set
19	3854317	1	Retainer	
20	3853172	2	Screw	
21	3855823	24	Valve cotter	
22	3855816	12	Valve cap	
23	3855815	12	Valve spring	
24	3855814	6	Valve stem seal	Intake
	3862362	6	Valve stem seal	Exhaust
25	3855810	6	Valve, intake	Standard
	3855808	6	Valve, exhaust	Standard
26	21185300	1	Sprocket, timing chain	
27		1	Gear, camshaft	Not sold separately
28		1	Gear, crankshaft	Not sold separately
29	(3854330)	3	Bolt	Obsolete part
30	3854329	1	Retainer	
31	3854323	2	Bolt	
32	3854328	1	Camshaft	
33	(3857717)	1	• Pin	Obsolete part
34	(3856778)	1	Bearing	Obsolete part