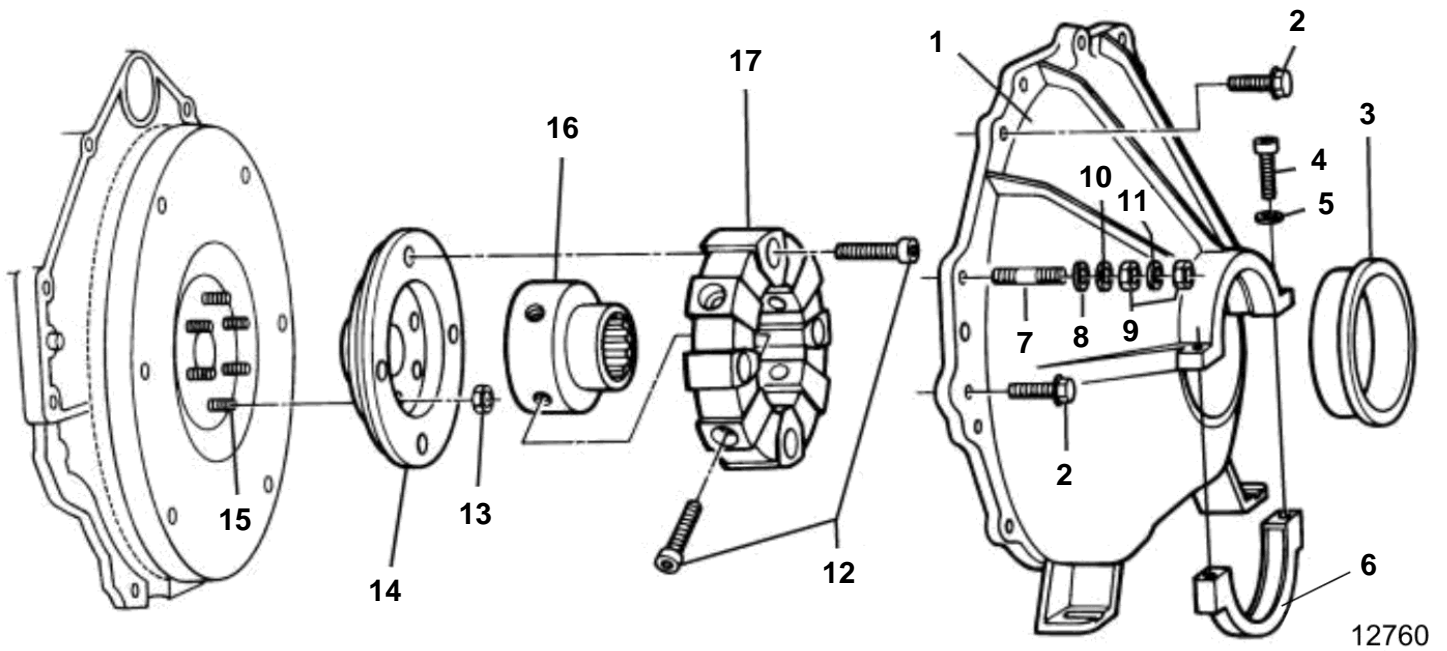


4.3GSJLKD



12760

4.3GSJLKD

REF	PART NO.	QTY	DESCRIPTION
1		1	Flywheel housing
2	3853266	1	Screw, Flywheel housing to engine
	3853326	3	Screw, Flywheel housing to engine
3	3855641	1	Rubber ring
4	959243	2	Screw, Flywheel hsg to pump hsg
5	3852002	2	Lock washer
6	3855457	1	Clamp
7	3850571	2	Stud, Flywheel housing to engine
8	3852058	2	Washer, Ground stud, flywheel hsg
9	3852065	4	Nut, Ground
10	3852002	2	Lock washer, Stud, flywheel housing
11	3852070	2	Washer, Ground stud, flywheel housing
12	968004	8	Allen head screw, M14 X 40
13	3853273	6	Lock nut, Flywheel & flange
14	3855461	1	Flange
15	3853274	6	Stud, Flywheel, adapter flange to crankshaft
16	3855752	1	Hub
17		1	Flexible coupling