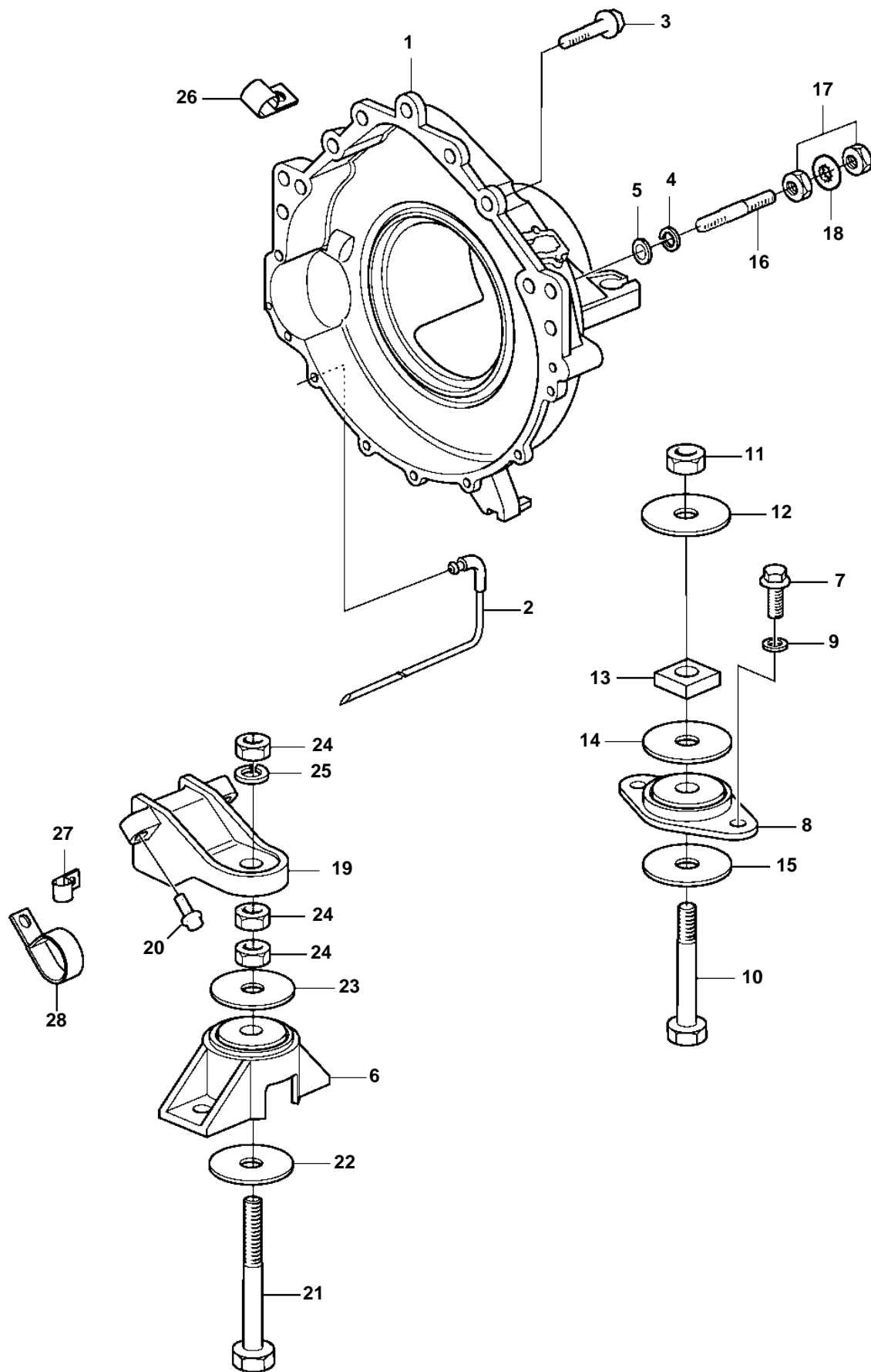


4.3GLPLKD, 4.3GSPLKD, 4.3GIPLKDCE



4.3GLPLKD, 4.3GSPLKD, 4.3GIPLKDCE

REF	PART NO.	QTY	DESCRIPTION	NOTES
1	3853457	1	Flywheel housing	
2	3852832	1	Hose	
3	3853266	1	Screw, Flywheel hsg to engine	
	3853326	5	Screw, Flywheel hsg to engine	
4	3852002	2	Lock washer, Ground stud, flywheel hsg	
5	3852058	2	Washer, Ground stud, flywheel hsg	
6	3853805	2	Rubber cushion	
7	959968	4	Screw, Rear mount to transom plate	
8	3853972	2	Rubber cushion	
9	3852155	4	Washer, Rear mount to transom plate	
10	3850930	2	Screw, Rear mount	
11	3850929	2	Nut, Rear mount	
12	3852540	2	Washer, Rear mount to flywheel hsg	
13	3852539	2	Nut, Rear mount	
14	3852622	2	Washer, Rear mount	
15	3852542	2	Washer, Rear mount	
16	3852483	2	Stud, Flywheel housing to engine	
17	3852065	4	Nut, Terminal to ground stud, flywheel hsg	
18	3852070	2	Washer, Ground stud, flywheel hsg	
19	3852760	2	Bracket, Front, port & starboard	
20	3853326	6	Screw, Front mount bracket to engine	
21	3852566	2	Screw, Front mount	
22	3852428	2	Washer, Front mount	Lower
23	3852433	2	Washer, Front mount	Upper
24	3852021	6	Nut, Bolt, mount bracket	
25	3852090	2	Lock washer, Bolt, front mount, engine	
26	3852434	1	Clamp	harness
	3852092	1	Clamp	harness
27	3852146	1	Clamp	harness
	3852490	1	Clamp	PS hose
28	3853312	1	Clamp	Stbd, cooling hose