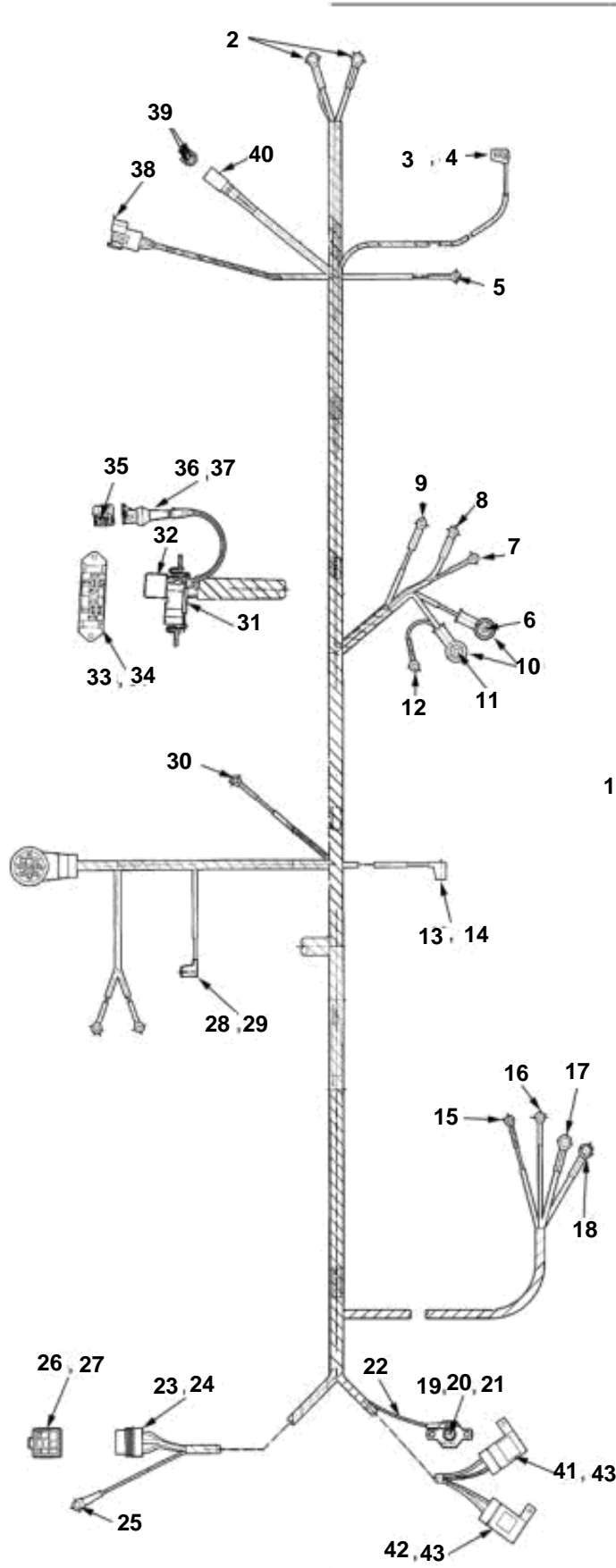


4.3GLPEFS



4.3GLPEFS

REF	PART NO.	QTY	DESCRIPTION	NOTES
1	3860036	1	Wiring harness	
2	3852527	2	Terminal, Engine ground	
3	3852084	1	Terminal, Oil pressure switch	
4	3853320	1	Cardboard tube, Oil pressure switch	
5	3852233	1	Terminal, Oil pressure switch	
6	3852233	1	Terminal, AC tap	
7		1	Terminal, Alternator excite	
8	3852245	1	Terminal, Alternator ground	
9	3852233	1	Terminal, Alternator ind light	
10	3852130	2	Rubber cap	
11	3852038	1	Terminal, Alternator output	
12		1	Terminal, Alternator sense	
13	3852084	1	Terminal, Water temp switch	
14	3853320	1	Cardboard tube, Water temp switch	
15	3852233	1	Terminal, Starter solenoid	
16		1	Terminal, Starter solenoid, starter terminal	
17	3852527	1	Terminal, Starter solenoid	
18	3852527	1	Terminal, Starter solenoid	
19	3852064	2	Nut, Circuit breaker	
20	3852001	2	Spring washer, Circuit breaker	
21	3854164	1	Automatic fuse	50A
	3854163	1	Automatic fuse	20A
	3854238	1	Automatic fuse	6A
22	3852245	1	Terminal, Circuit breaker to splice	
23	3854192	1	Relay, Starter relay	
24	3852254	4	Terminal, Starter relay	
25	3852227	1	Terminal, Ground electrical bracket	
26	3854192	1	Relay, Starter relay	
27	3852254	4	Terminal, Starter relay	
28	3852084	1	Terminal, Choke	
29	3852220	1	Pulley, Choke	
30	3852233	1	Terminal, Water temp transmitter	
31	3852210	1	Bracket	
32	3850403	1	Relay	
33	3852246	3	Terminal	
34	3852247	1	Terminal, Fuel pump	
35	3853679	2	Terminal, Fuel pump	
36		1	Connector, Fuel pump	Part not sold
37		1	Terminal, Fuel pump	Part not sold
38	3854244	1	Cable, Ignition coil dist terminal	
39	3853565	1	Connector, Trim sender	
40	3852229	1	Terminal, Trim sender	
41	979686	1	Fuse, 40 amp	
42	969197	1	Fuse, 7.5 amp	
43	3860455	2	Fuse holder	