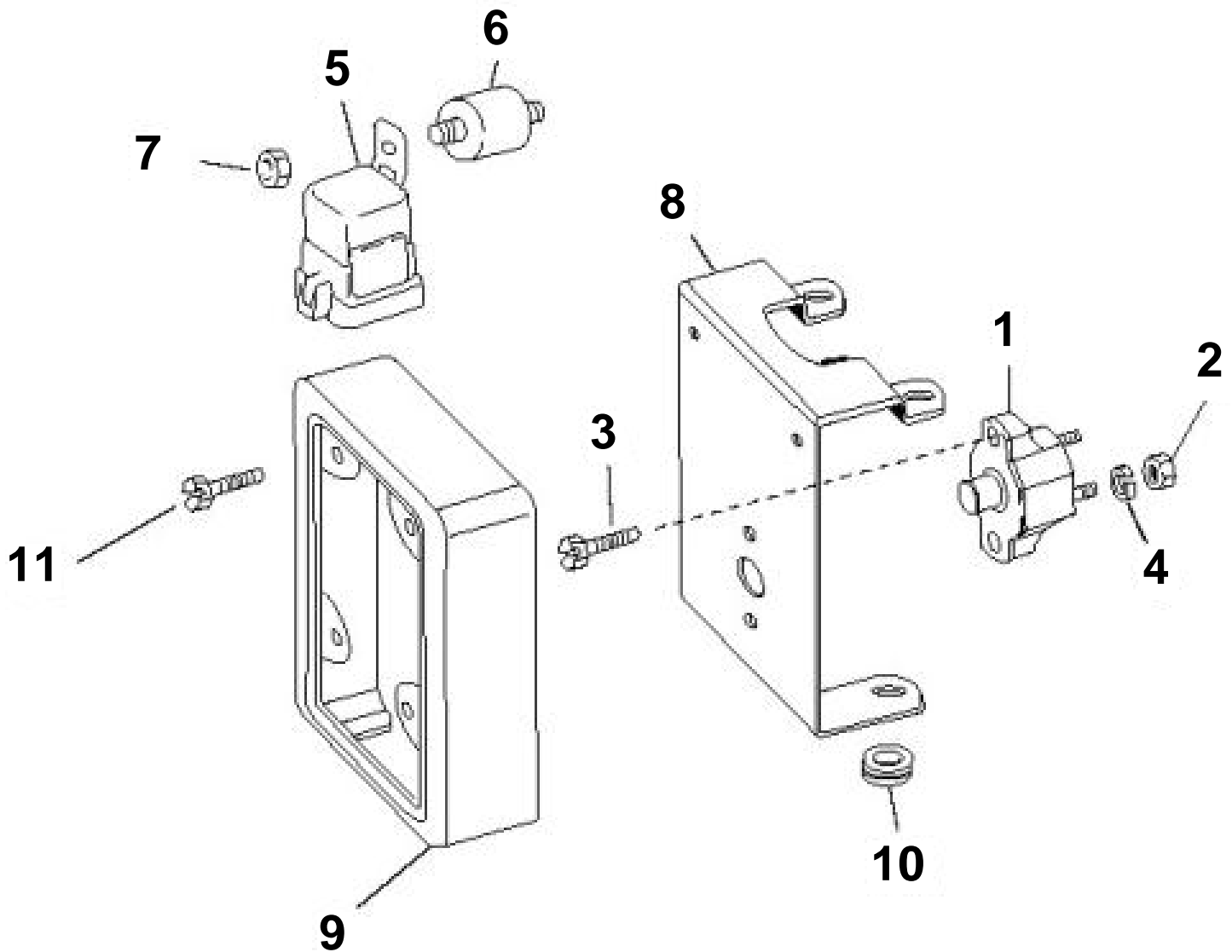


4.3GLPEFS, 4.3GiPEFS



4.3GLPEFS, 4.3GiPEFS

REF	PART NO.	QTY	DESCRIPTION	NOTES
1	3854164	1	Automatic fuse	50A, Trim pump
	3854163	1	Automatic fuse	20A, Fuel pump
	3854238	1	Automatic fuse	6A, Fuel pump
2	3852064	2	Nut, Circuit breaker terminals	
3	3853620	2	Hexagon screw, Circuit breaker to bracket	
4	3852001	2	Spring washer, Circuit breaker terminals	
5	3854138	1	Relay, Starter motor	
6	3850234	1	Rubber cushion, Relay mounting	
7	3852118	1	Nut, Relay to isolator	
8	3860368	1	Bracket, Circuit breaker & engine cable	
9	3860369	1	Cover, Circuit breaker bracket	
10	941263	2	Grommet, Circuit breaker bracket	
11	3860524	4	Locking pin, Circuit breaker cover to bracket	