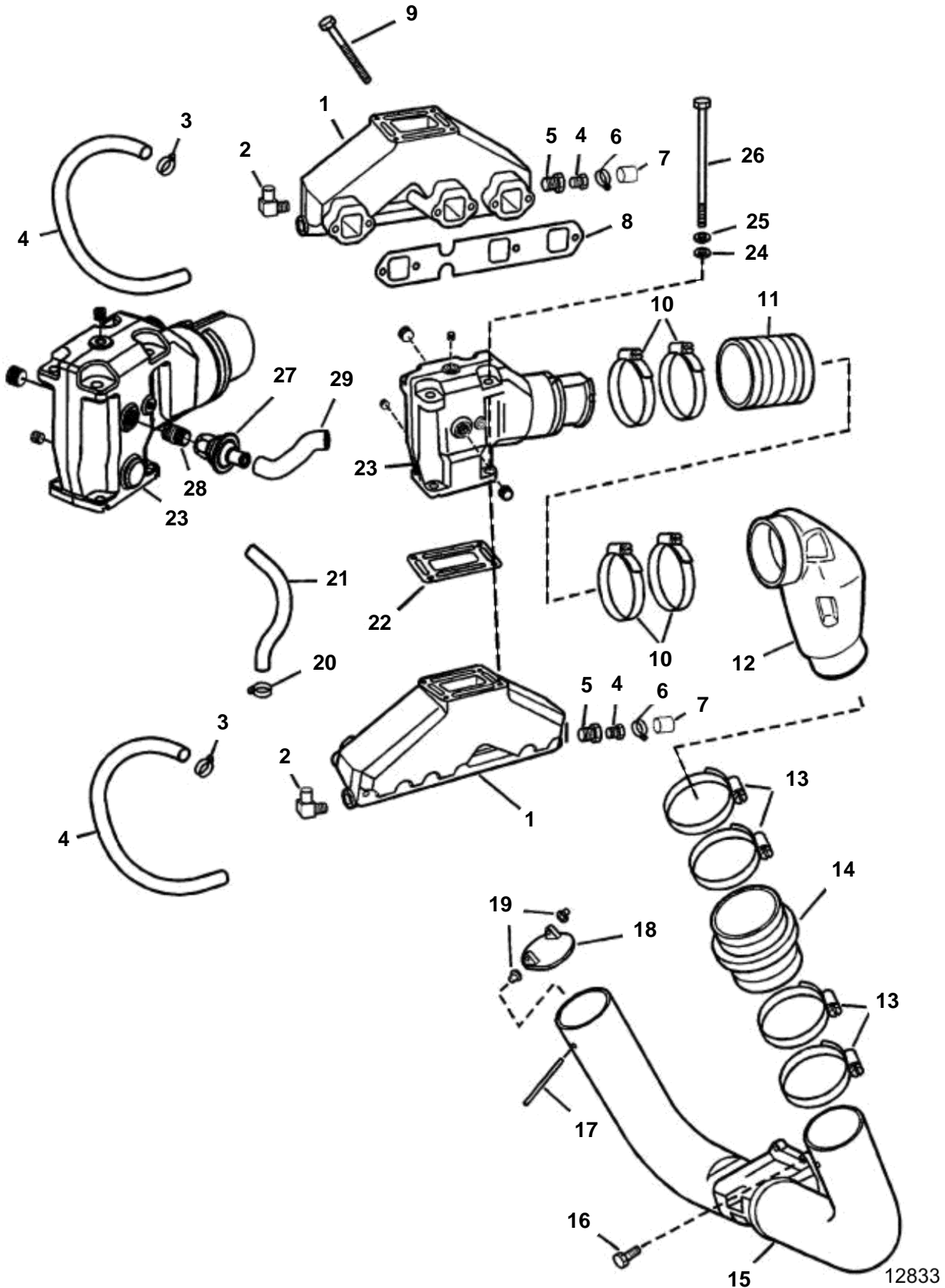


4.3GLPBYC, 4.3GSPBYC, 4.3GIPBYCCE, 4.3GSJBYA, 4.3GIJBYA



4.3GLPBYC, 4.3GSPBYC, 4.3GIPBYCCE, 4.3GSJBYA, 4.3GIJBYA

REF	PART NO.	QTY	DESCRIPTION	SEE SEC.	NOTES
1	3852338	2	Exhaust pipe, Port & starboard		Early
	3857656	2	Exhaust manifold		Late
2	3852538	1	· Elbow		Late
3	3853780	1	· Clamp		Late
4	3857843	1	· Hose, Thermostat hsg to elbow		Late
5	3858291	1	· Reducer sleeve		Late
6	3852602	2	Clamp, Cap to exhaust manifold		Early
7	3852476	2	Cap, Exhaust manifold		Early
8	3853412	2	Gasket, Exhaust manifold to engine		Part of engine gasket kit
9	3857184	12	Screw, Exhaust manifold		
10	3853860	8	Clamp, Hose, exhaust elbow to exhaust pipe		
11	3852696	2	Exhaust hose, Exhaust elbow to exhaust pipe		Upper
12	3854874	2	Exhaust pipe		
13	3853791	8	Clamp, Hose, exhaust pipe upper to lower		
14	3852741	2	Hose, Upper exhaust pipe to exhaust pipe		Not for PJX
15	3855281	1	Exhaust pipe		SX, DP-S
16	3855472	4	Flange screw, Exhaust pipe to gimbal hsg		
17		2	Pin, Exhaust seal assy to exhaust pipe		
18		2	Seal, Exhaust pipe		
			· Bulletin P-25-1-2	P-25-1-2-EN	Exhaust Seal Obsolete
19		4	Bushing, Exhaust seal assy to exhaust pipe		
20	3853780	2	Clamp, Hose to thermostat hsg		Early
21	3852746	1	Hose, Thermostat hsg to manifold		Cut to length; early
22	3850496	2	Gasket, Exhaust elbow to manifold		Part of engine gasket kit
			· Bulletin P-25-1-1	P-25-1-1-EN	Riser Gasket Replaced
23	3857944	2	Exhaust riser, Riser		
24	3852058	8	Washer, Exhaust elbow to manifold		
25	3852002	8	Lock washer, Exhaust elbow to manifold		
26	3852830	8	Screw, Exhaust elbow to manifold		
27	3857761	2	Valve		Late
28	3857763	2	Fitting, Check valve to riser		Late
29	3852668	2	Hose, Check valve to riser		Late