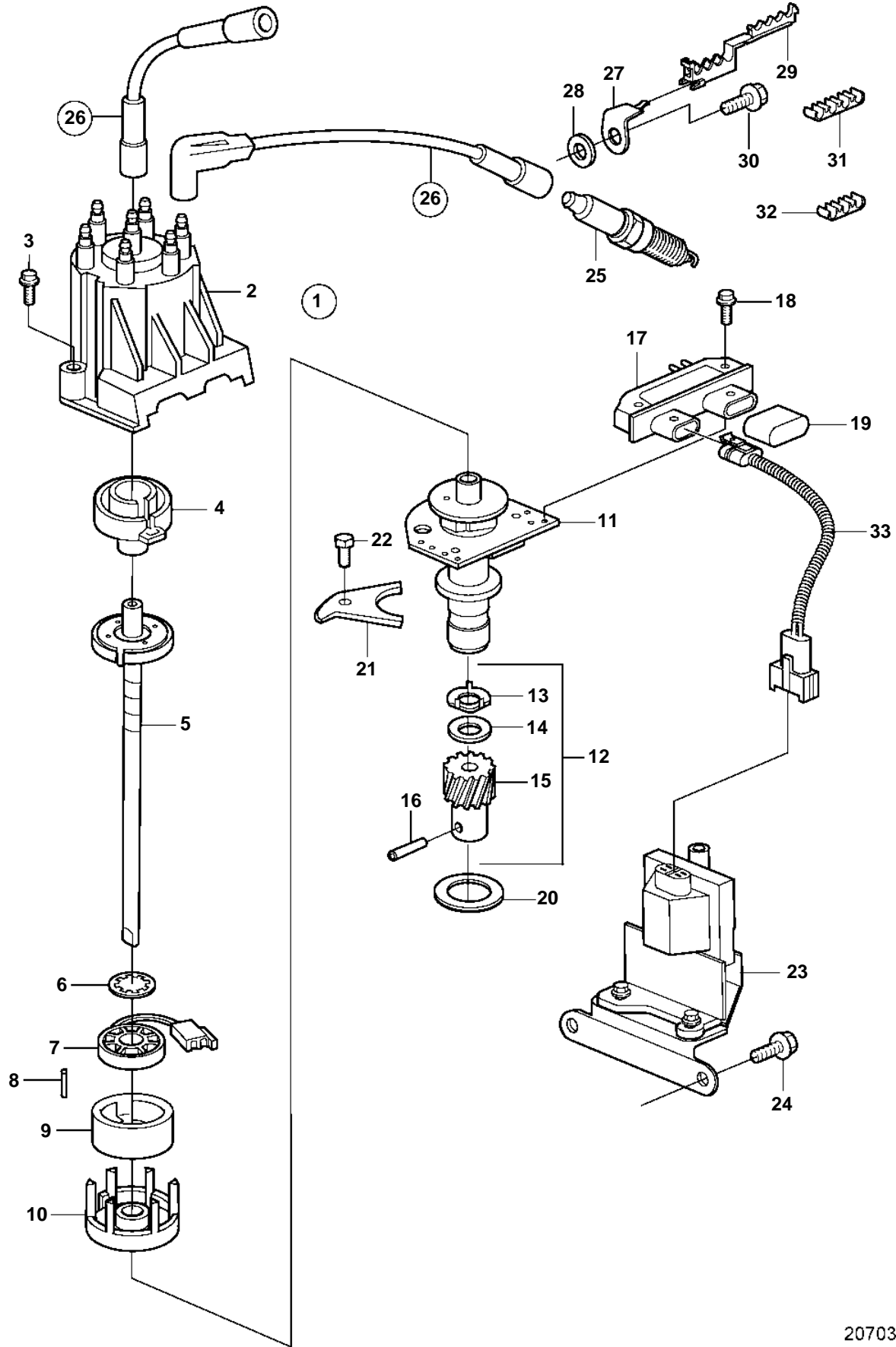


4.3GLPBYC, 4.3GSPBYC, 4.3GIPBYCCE, 4.3GSJBYA, 4.3GIJBYA



20703

4.3GLPBYC, 4.3GSPBYC, 4.3GIPBYCCE, 4.3GSJBYA, 4.3GIJBYA

REF	PART NO.	QTY	DESCRIPTION	NOTES
1		1	Distributor	Part not sold
2	3854331	1	• Distributor cap	
3	3853318	2	• Screw	
4	3854311	1	• Rotor	
5	3854312	1	• Shaft	
6	3853317	1	• Retainer	
7	3854001	1	• Coil	
8	3853316	1	• Locating pin	
9	3854552	1	• Shield	
10	3854309	1	• Pole shoe	
11	3854310	1	• Housing	
12	3854557	1	• Repair kit	
13		1	• • Washer	
14		1	• • Washer	
15		1	• • Gear	
16		1	• • Pin	
17	3854003	1	• Module	
18	3853319	2	• Screw	
19	3850645	1	Cap	
20	3852109	1	Gasket	
21	3852108	1	Clamp	
22	3856129	1	Screw	
23	3854922	1	Ignition coil	
24	946472	2	Screw	
25	3856759	1	Spark plug kit	6 pack
	3851858	1	Spark plug kit	24 PACK
26	3857165	1	Ignition cable kit	
27	3856052	2	Bracket	
28	980933	1	Washer	
29	3852619	2	Retainer	
30	3853419	1	Screw	
31	3852491	1	Retainer	
32	3852492	1	Retainer	
33	3854084	1	Cable	