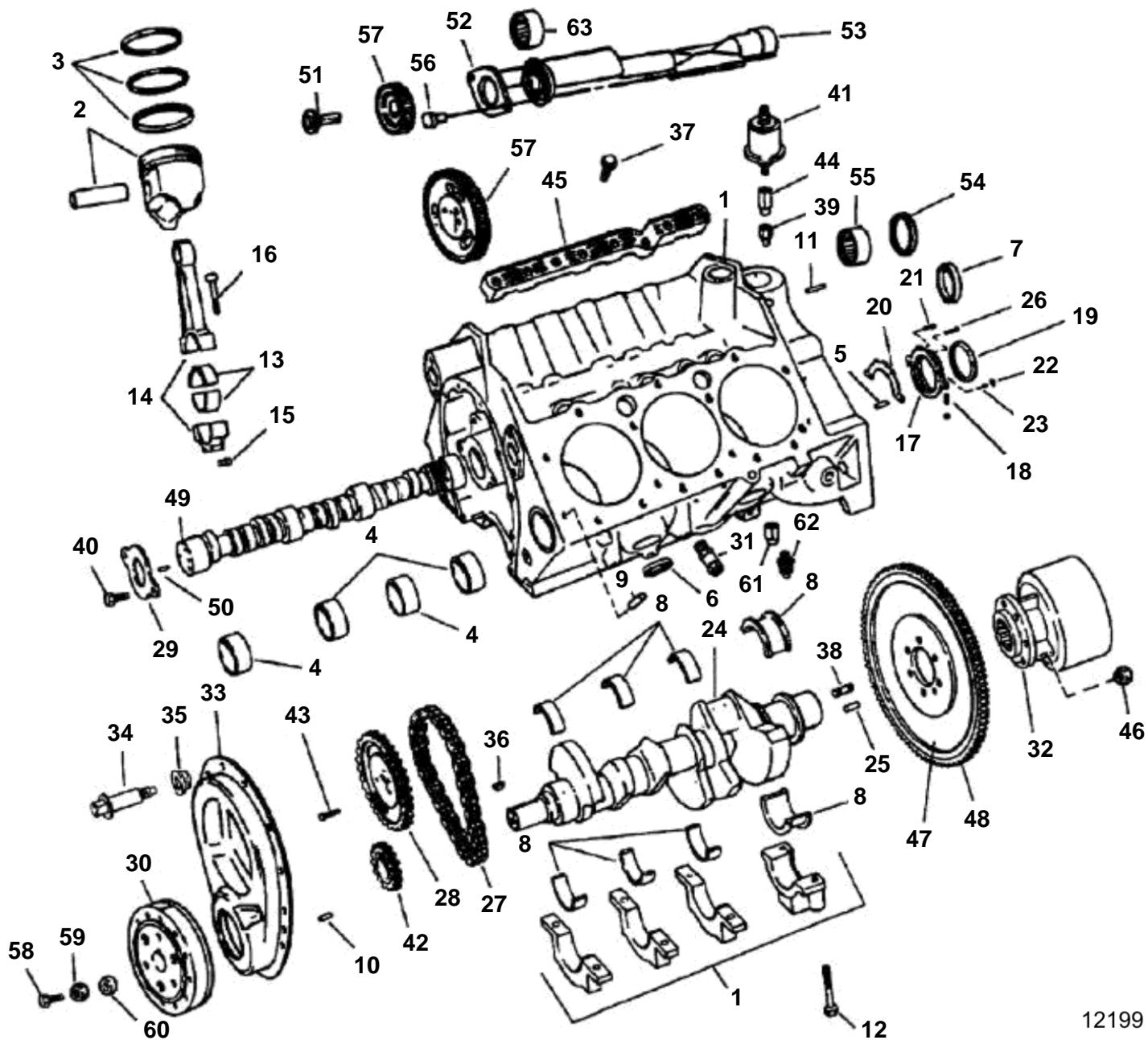


4.3GLPBYC, 4.3GSPBYC, 4.3GIPBYCCE, 4.3GSJBYA, 4.3GIJBYA



12199

4.3GLPBYC, 4.3GSPBYC, 4.3GIPBYCCE, 4.3GSJBYA, 4.3GIJBYA

REF	PART NO.	QTY	DESCRIPTION	SEE SEC.	NOTES
1	3856682	1	Longblock		As required
			· Bulletin P-21-0-12	P-21-0-12-EN	Longblock Guidelines, 4.3GL
			· Bulletin P-21-0-15	P-21-0-15-EN	Longblock Guidelines, 4.3GL/GS/GI
			· Bulletin P-21-0-16	P-21-0-16-EN	Longblock Guidelines, 4.3GL/GS/GI
2	3855742	6	Piston, Standard		
	3855743	1	Piston, 0.50 mm OS		As required
3	3855740	6	Piston ring kit, Standard		
	3855741	1	Piston ring kit, 0.50 mm OS		
4	3856778	1	Camshaft bearing kit, Cam		
5	3856140	1	Pin, Rear oil seal housing		
6	3852100	6	Core plug, Expansion		
7	3853209	1	Core plug, Rear camshaft bearing		
8	3856772	1	Main bearing kit, .Main, standard		As required
	3856773	1	Main bearing kit, .Main, 0.010 in. OS		As required
	3856774	3	Main bearing kit, .Main, 0.020 in. OS		
9	3853114	4	Locating pin, Cylinder head		
10	3855972	2	Pin, Timing cover		
11	3856001	2	Pin, Flywheel housing		
12	3853214	10	Screw, Bearing cap		
13	3854955	6	Big end bearing kit, Rod, standard		
			· Bulletin P-21-6-2	P-21-6-2-EN	Rod Bearings, 4.3L
14	3854173	6	Connecting rod		
15	3853148	12	· Nut, Connecting rod		
16	3853179	12	· Screw, Connecting rod		
17	3857716	1	Housing, Rear oil seal		
18	3857718	2	· Stud, Rear oil seal		
19	3856926	1	· Seal, Rear oil		
20	3852656	1	Gasket, Rear oil seal housing		
21	3853203	2	Screw, Rear oil seal		
22	3853206	1	Nut, Rear oil seal housing		
23	3853205	1	Stud, Rear oil seal housing		
24	3855733	1	Crankshaft		
25	3855969	1	· Pin, Flywheel		
26	3853204	1	Screw, Rear oil seal		
27	3852685	1	Chain		
28	3852690	1	Sprocket, Crankshaft		
29	3854329	1	Retainer, Camshaft		
30	3855734	1	Vibration damper		
31	3850802	2	Plug, Water drain		
32	3853917	1	Rubber coupling		
33	3855735	1	Timing gear casing		
34	3855737	3	· Screw, Timing cover		
	3855736	2	· Screw, Timing cover		
35	3855739	6	· Grommet, Timing cover		
36	3853648	1	Woodruff key, Crankshaft		
37	3855817	4	Screw, Lifter guide retainer		
38	3853274	6	Stud, Coupler to engine		
39	3855776	1	Adapter, Oil sending unit		
40	3854323	2	Screw, Camshaft retainer		
41	3857532	1	Sender, Oil pressure		
	872064	1	Sender, Oil pressure		Dual station
42	3854319	1	Sprocket, Camshaft		
43		3	Screw, Camshaft sprocket		
44	3852503	1	Elbow, Oil sending unit		
45	3855825	2	Guide, Valve lifter		
46	3853273	6	Lock nut, Stud, coupler to flywheel		
47	3854325	1	Flywheel		
48	3855970	1	· Gear ring, Flywheel		
49	3854328	1	Camshaft		
50		1	· Pin, Camshaft sprocket		
51	3854320	1	Screw, Balancer shaft gear		
52	3854317	1	Retainer, Balancer shaft		
53	3857715	1	Shaft, Balancer		

4.3GLPBYC, 4.3GSPBYC, 4.3GIPBYCCE, 4.3GSJBYA, 4.3GIJBYA

REF	PART NO.	QTY	DESCRIPTION	SEE SEC.	NOTES
54	3853209	1	Core plug, Gear balancer shaft bearing		
55	3854315	1	Bearing bushing, Balancer shaft, rear		
56	3853172	2	Screw, Balancer shaft retainer		
57	3854314	1	Drive gear, Balancer shaft		
58		1	Screw, Damper		PJX
	949518	1	Screw, Damper		SX, DP-S
59	3852046	1	Lock washer, Damper		PJX
	3858177	1	Washer, Damper		SX, DP-S
60	3852110	1	Washer, Damper		
61	3850660	1	Fitting, Oil pressure switch		Gi
62	3852215	1	Sender, Oil pressure		Gi
63	3850519	1	Bearing, Balancer shaft, forward		