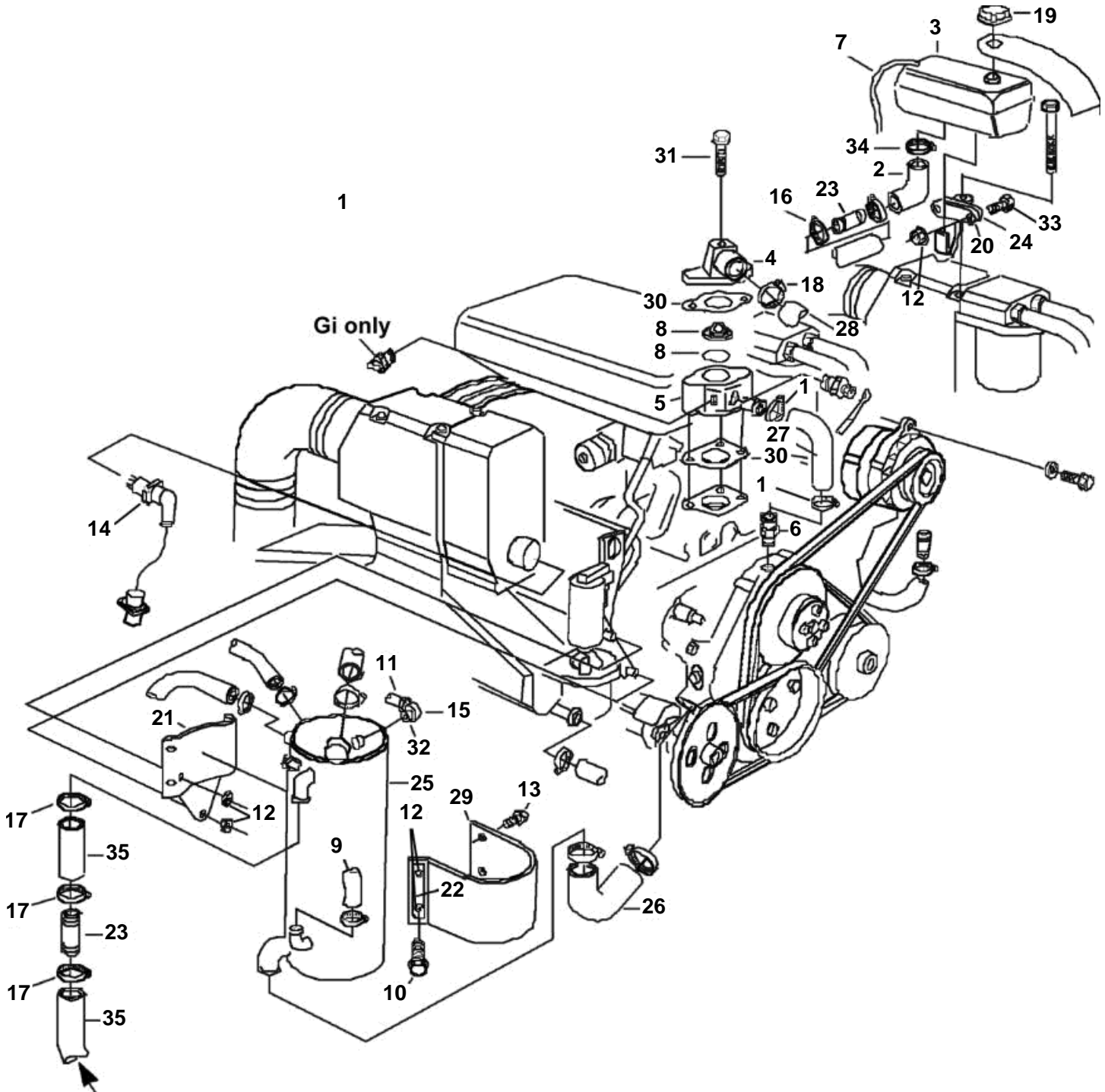


4.3GLPBYC, 4.3GSPBYC, 4.3GIPBYCCE, 4.3GSJBYA, 4.3GIJBYA



4.3GLPBYC, 4.3GSPBYC, 4.3GIPBYCCE, 4.3GSJBYA, 4.3GIJBYA

REF	PART NO.	QTY	DESCRIPTION	NOTES
1	3857595	1	Freshwater cool kit	4.3 GL/GS/Gi
	3852602	2	· Clamp	
2	857500	1	· Hose	
3	861105	1	· Expansion tank	
4	3851384	1	· Thermostat housing	
5	3851383	1	· Thermostat housing, Lower	
6	943268	1	· Hose nipple	
7	942700		· Hose	As required
8	875788	1	· Thermostat kit	
9	943369		· Hose	As required
10	946173	4	· Flange screw	
11	945652	6	· Hose clamp	
12	948645	6	· Lock nut	Not shown
13	945444	2	· Flange screw	
14	3857494	1	· Cable, 10-pin pigtail adapter	
	940119	2	· Nut	
15	961611	1	· Elbow nipple	
16	961666	3	· Hose clamp	
17	961667	4	· Hose clamp	
18	961670	2	· Hose clamp	
19	1674083	1	· Pressure cap	
20	3857405	1	· Bracket	
21	3851393	1	· Bracket	
22	3851396	1	· Bar	
23	3851413	2	· Connection pipe	
24	3857422	1	· Bracket	
25	3851586	1	· Heat exchanger	
26	3851591	1	· Hose	
27	3851592	1	· Hose	
28	3851762	1	· Hose	
29	3851395	1	· Bracket	
30	3852111	2	· Gasket	
31	3853401	2	· Screw	
32	3851598	1	· Fitting	
33	950004	2	· Screw	
34	3855719	1	· Clamp	
35	943367		· Hose	As required
	3857494	1	· Cable	Not shown
	3853598	1	· Elbow	Not shown