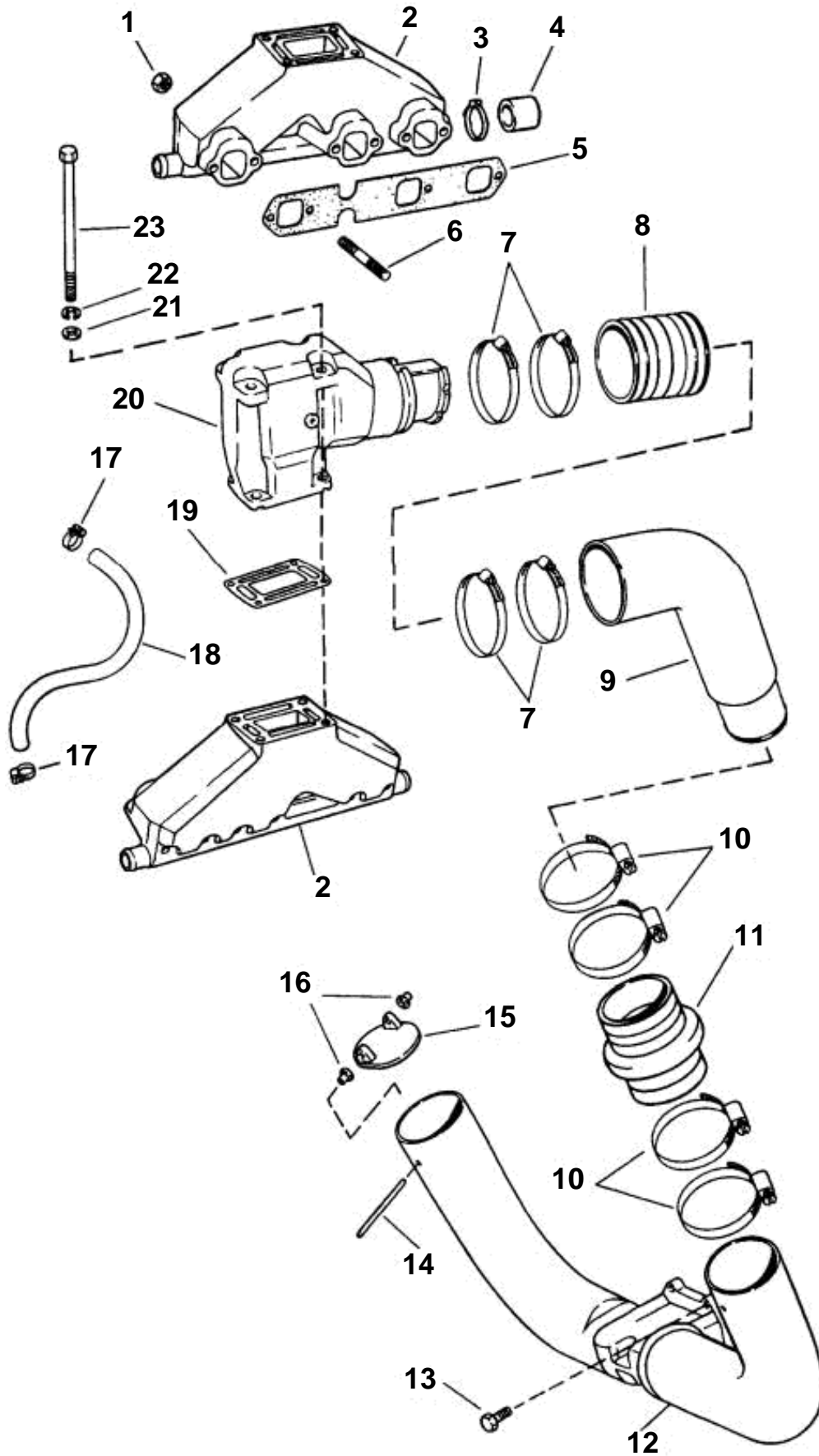


4.3GLMMDA, 4.3GLPMDA, 4.3GSPMDA, 4.3GSPMDA



## 4.3GLMMDA, 4.3GLPMDA, 4.3GSPMDA, 4.3GSPMDA

| REF | PART NO. | QTY | DESCRIPTION                                 | SEE SEC.    | NOTES                   |
|-----|----------|-----|---|-------------|-------------------------|
| 1   | 3853404  | 12  | Lock nut, Exhaust manifold to engine        |             |                         |
| 2   | 3852338  | 2   | Exhaust pipe, Port & starboard              |             |                         |
| 3   | 3852602  | 2   | Clamp, Cap to exhaust manifold              |             |                         |
| 4   | 3852476  | 2   | Cap, Exhaust manifold                       |             |                         |
| 5   | 3853412  | 2   | Gasket, Exhaust manifold to engine          |             |                         |
| 6   | 3852467  | 12  | Stud, Exhaust manifold to engine            |             |                         |
| 7   | 3853860  | 8   | Clamp, Hose, exhaust elbow to exhaust pipe  |             |                         |
| 8   | 3852696  | 2   | Exhaust hose, Exhaust elbow to exhaust pipe |             |                         |
| 9   | 3850212  | 2   | Exhaust pipe                                |             | 290 DP                  |
|     | 3853372  | 2   | Exhaust pipe                                |             | SX, DP-S                |
| 10  | 3853791  | 8   | Clamp, Hose, exhaust pipe upper to lower    |             |                         |
| 11  | 3852741  | 2   | Hose, Upper exhaust pipe to exhaust pipe    |             |                         |
| 12  | 3851000  | 1   | Exhaust pipe                                |             | 290 DP                  |
|     | 3855281  | 1   | Exhaust pipe                                |             | SX, DP-S                |
| 13  | 3852898  | 4   | Screw, Exhaust pipe to gimbal hsg           |             | SX, DP-S                |
| 14  |          | 2   | Pin, Exhaust seal assy to exhaust pipe      |             | SX, DP-S                |
| 15  |          | 2   | Seal, Exhaust pipe                          |             | SX, DP-S                |
|     |          |     | · Bulletin P-25-1-2                         | P-25-1-2-EN | Exhaust Seal Obsolete   |
| 16  |          | 4   | Bushing, Exhaust seal assy to exhaust pipe  |             | SX, DP-S                |
| 17  | 3853780  | 2   | Clamp, Hose to thermostat hsg               |             |                         |
| 18  | 3852746  | 1   | Hose, Thermostat hsg to manifold            |             | Cut to length           |
| 19  | 3850496  | 2   | Gasket, Exhaust elbow to manifold           |             |                         |
|     |          |     | · Bulletin P-25-1-1                         | P-25-1-1-EN | Riser Gasket Replaced   |
| 20  | 3850456  | 2   | Riser                                       |             |                         |
|     | 3850740  | 4   | Plug  |             | 1/4"-18 NPTF, Not shown |
| 21  | 3852058  | 8   | Washer, Exhaust elbow to manifold           |             |                         |
| 22  | 3852002  | 8   | Lock washer, Exhaust elbow to manifold      |             |                         |
| 23  | 3852830  | 8   | Screw, Exhaust elbow to manifold            |             |                         |