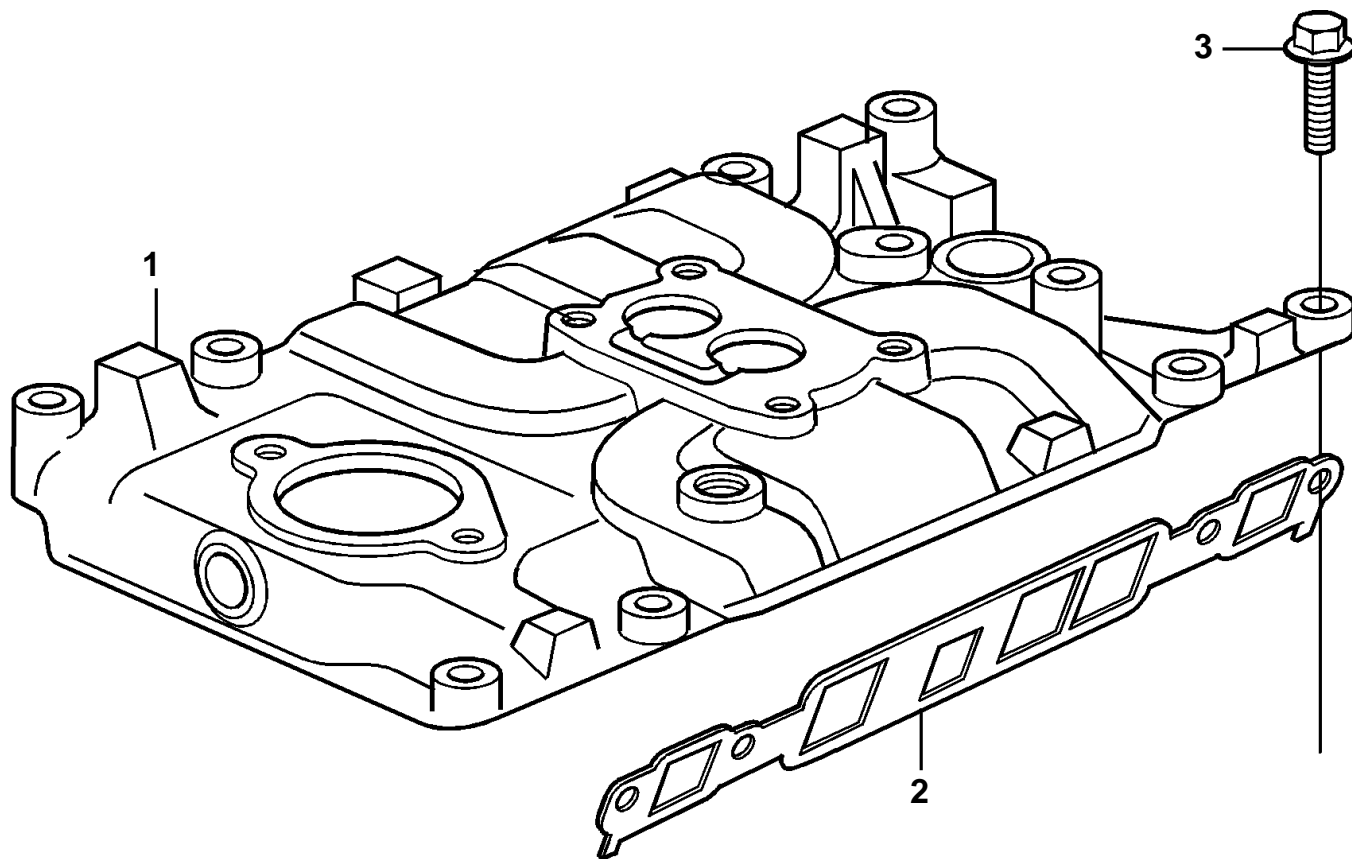


4.3GL-G, 4.3GL-GF



23787

4.3GL-G, 4.3GL-GF

REF	PART NO.	QTY	DESCRIPTION
1	3855805	1	Inlet pipe
2	3855807	1	Intake gasket kit
3	3856765	8	Bolt