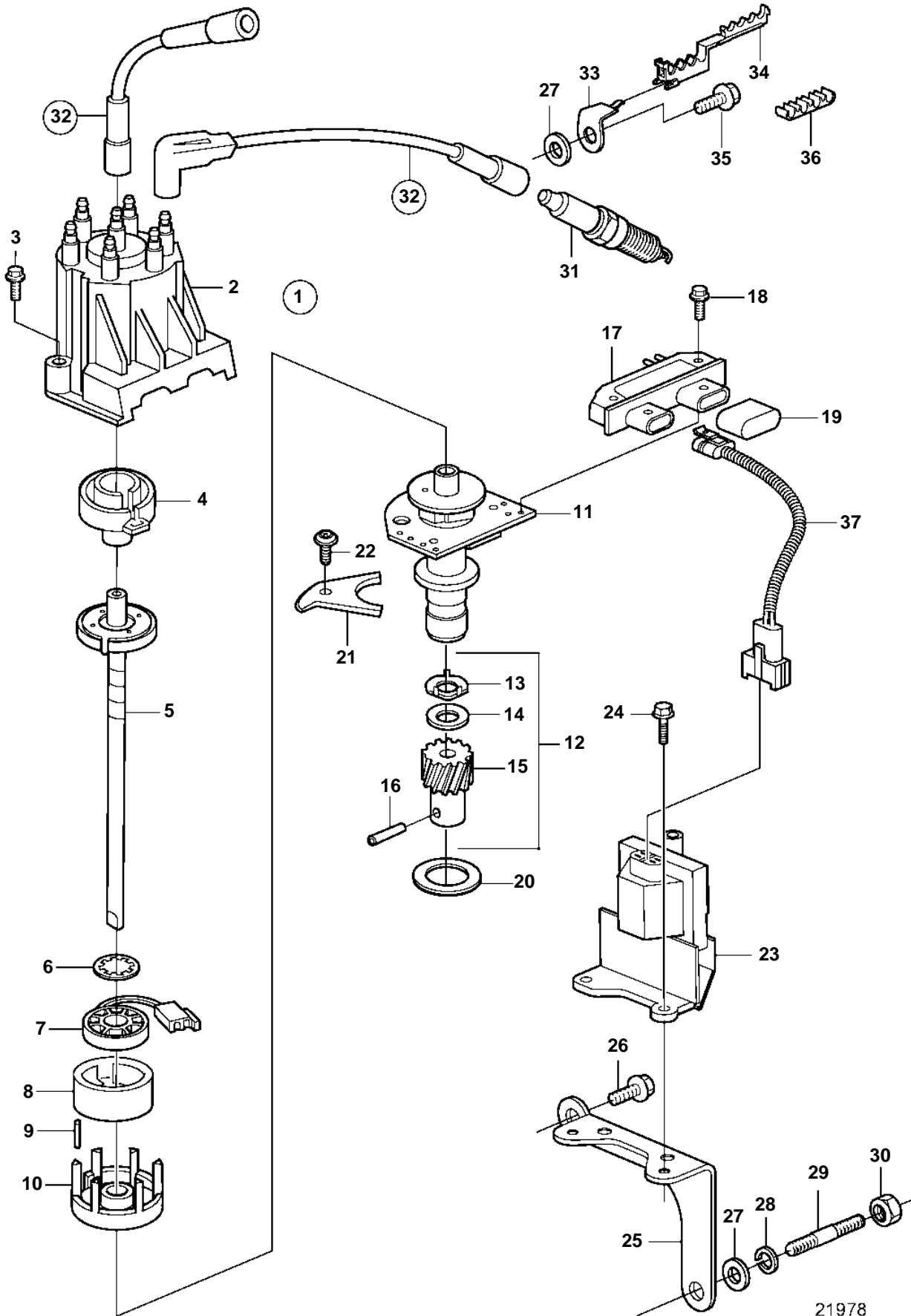


4.3GL-G, 4.3GL-GF



21978

4.3GL-G, 4.3GL-GF

REF	PART NO.	QTY	DESCRIPTION	NOTES
1		1	Distributor	Part not sold
2	3854331	1	• Distributor cap	
3	3853318	2	• Screw	
4	3854311	1	• Rotor	
5	3854312	1	• Shaft	
6	3853317	1	• Retainer	
7	3854001	1	• Coil	
8	3854552	1	• Shield	
9	3853316	1	• Locating pin	
10	3854309	1	• Pole shoe	
11		1	• Housing	Part not sold
12	3854557	1	• Repair kit	
13		1	• • Washer	not sold separately
14		1	• • Washer	not sold separately
15		1	• • Gear	not sold separately
16		1	• • Pin	not sold separately
17	3854003	1	• Module	
18	3853319	2	• Screw	
19	3850645	1	Cardboard tube	
20	3852109	1	Gasket	
21	3852108	1	Clamp	
22	3863171	1	Screw	
23	3883158	1	Ignition coil	
24	947107	2	Flange screw	
25	3863294	1	Bracket	
26	946472	1	Flange screw	
27	980933	3	Washer	
28	3852046	1	Spring washer	
29	3857937	1	Stud	
30	971071	1	Hexagon nut	
31	3858997	1	Kit	6 pack
	3858998	X	Kit	24 pack
32	3888325	1	Ignition cable kit	
33	3856052	2	Bracket	
34	3852619	2	Retainer	
35	3853557	1	Screw	
36	3852491	2	Retainer	
37	3854084	1	Cable	