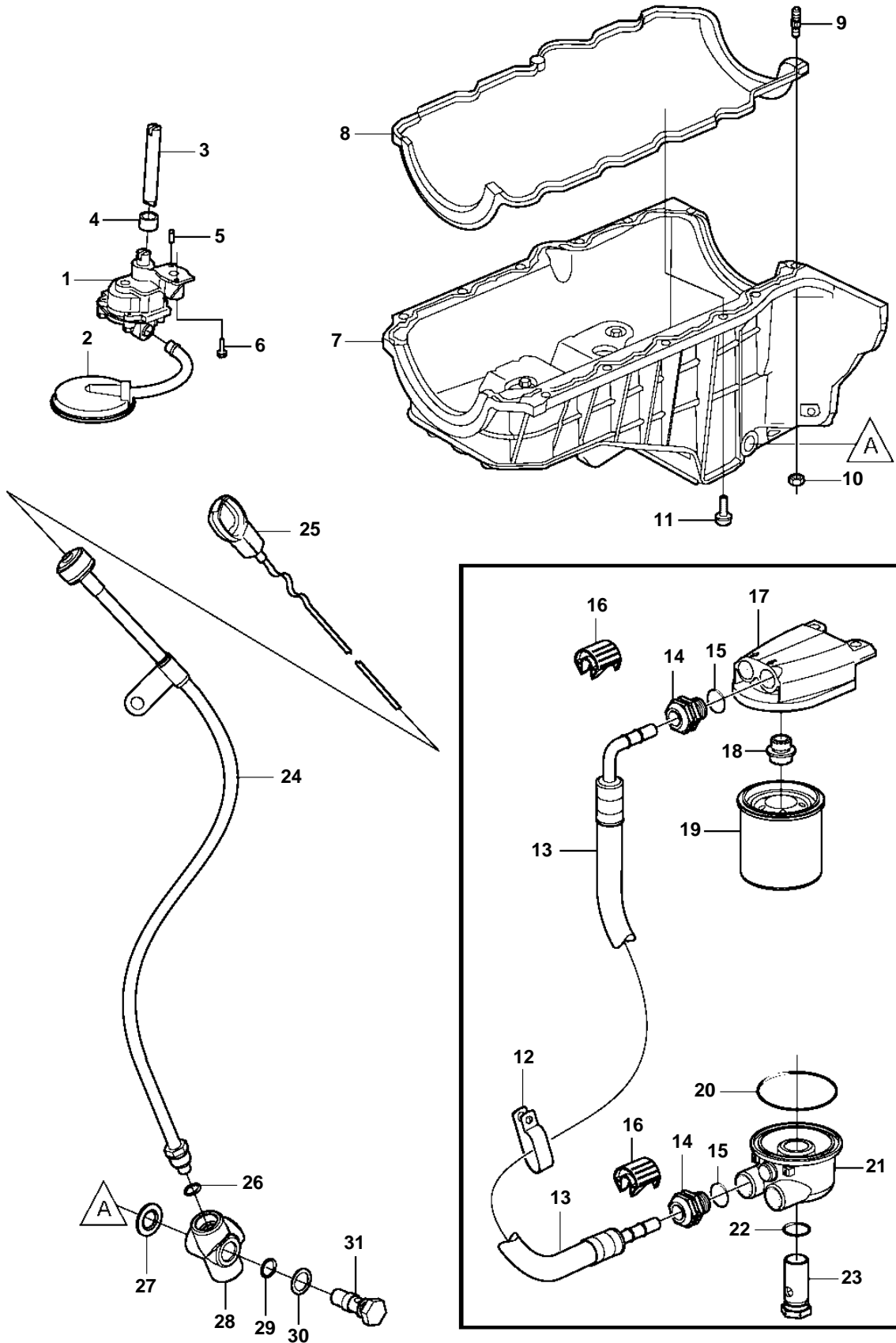


4.3GL-G, 4.3GL-GF



23354

4.3GL-G, 4.3GL-GF

REF	PART NO.	QTY	DESCRIPTION	SEE SEC.	NOTES
1	3856125	1	Oil pump		
2	3857714	1	Oil strainer		
3	3853198	1	Shaft		
4	3853199	1	Retainer		
5	3855972	2	Pin		
6	3853234	1	Bolt		
7	3858697	1	Sump		
8	3855801	1	Gasket kit		
9	3857718	2	Stud		
10	3856930	2	Nut		
11	3855802	10	Bolt		
12	3860075	1	Clamp		
13	3886066	2	Oil line		
14	3886181	4	Fitting screw		
15		4	· O-ring		
16	3888543	4	Clip		
17	3886045	1	Adapter		
18	3852015	1	· Connector		
19	835440	1	Oil filter		
			· Bulletin P-21-7-1	P-21-7-1-EN	Oil Filters, GM gas engines
20	3854416	1	O-ring		
21	3886159	1	Adapter		
22	3852089	1	O-ring		
23	3854695	1	Retainer		
24	3855723	1	Tube		
25	3862843	1	Gauge		
26	3852033	1	O-ring		
27	3851981	1	Washer		
28	3587783	1	Fitting		
29	3853674	1	O-ring		
30	3852007	1	Washer		
31	888958	1	Retainer		