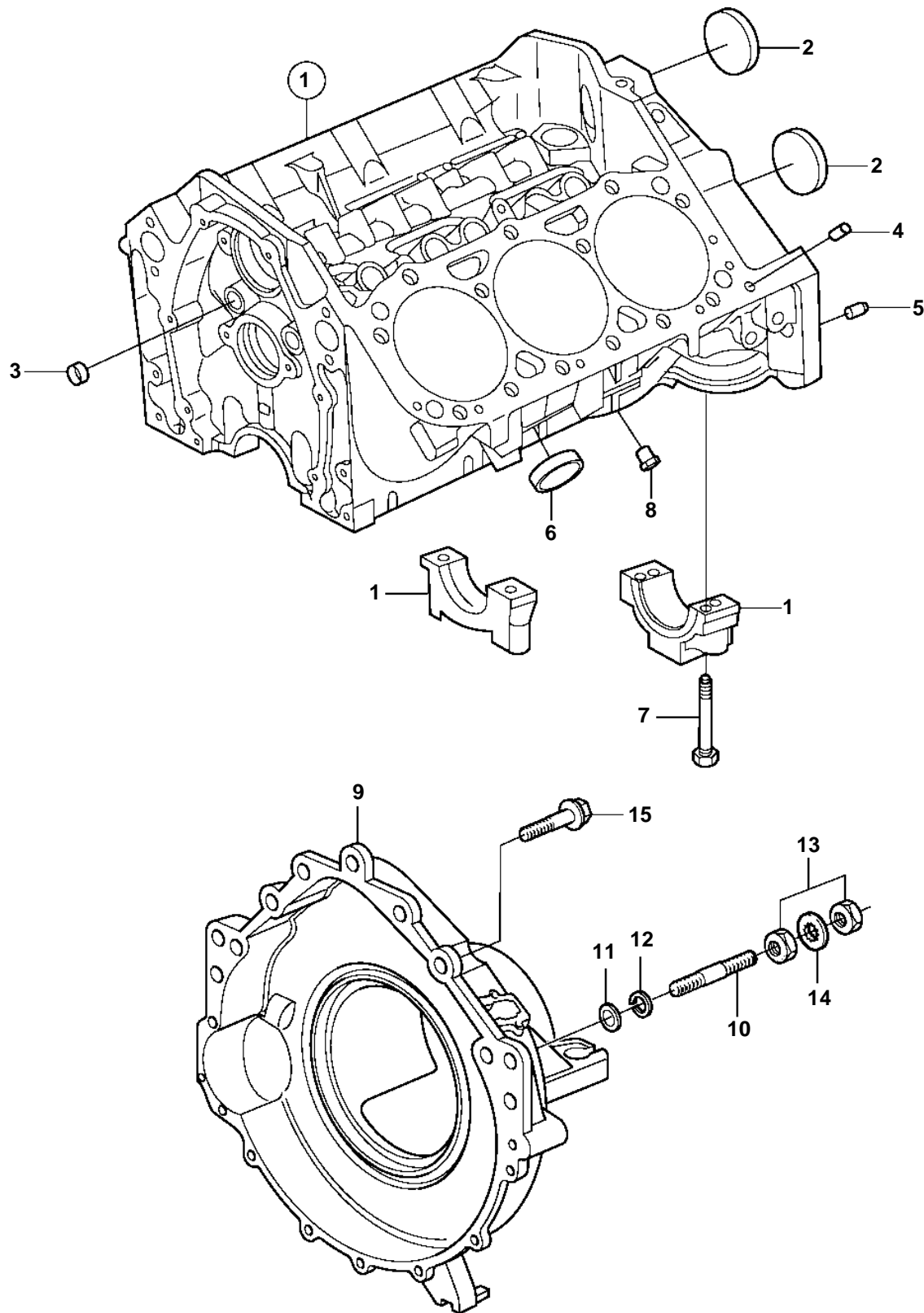


4.3GL-GF



4.3GL-GF

| REF | PART NO. | QTY | DESCRIPTION | NOTES |
|-----|----------|-----|------------------|--------|
| 1 | | 1 | Cylinder block | |
| 2 | 3853209 | 2 | · Core plug | |
| 3 | 3853208 | 2 | · Cap plug | |
| 4 | 3853114 | 4 | · Locating pin | |
| 5 | 3856001 | 2 | · Pin | |
| 6 | 3852100 | 8 | · Core plug | |
| 7 | 3862355 | 10 | · Bolt | |
| 8 | 3850802 | 2 | Plug | |
| 9 | 3808573 | 1 | Flywheel housing | |
| 10 | 3857937 | 2 | Stud | |
| 11 | 980933 | 2 | Washer | |
| 12 | 3852046 | 2 | Spring washer | |
| 13 | 971074 | 6 | Hexagon nut | |
| 14 | 982679 | 4 | Toothed washer | |
| 15 | 965222 | 2 | Flange screw | L=65mm |
| | 946472 | 2 | Flange screw | L=30mm |